

P/N: 75025-0101

Copyright

© 2019, FLIR Systems, Inc.

All rights reserved worldwide. Names and marks appearing herein are either registered trademarks or trademarks of FLIR Systems and/or its subsidiaries. All other trademarks, trade names or company names referenced herein are used for identification only and are the property of their respective owners.

Document identity

Publ. No.: 75025-0101

Commit: 47938

Language: en-US

Modified: 2018-03-06

Formatted: 2019-10-16

Website

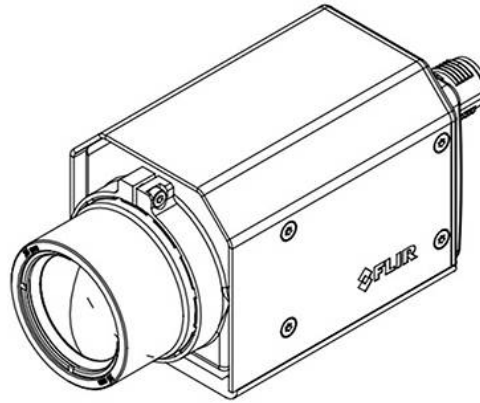
<http://www.flir.com>

Customer support

<http://support.flir.com>

Disclaimer

Specifications subject to change without further notice. Camera models and accessories subject to regional market considerations. License procedures may apply. Products described herein may be subject to US Export Regulations. Please refer to exportquestions@flir.com with any questions.



General description	
<p>The FLIR A65 has features and functions that make it the natural choice for anyone who uses PC software to solve problems and for whom 640 × 512 pixel resolution is sufficient.</p> <p>Among its main features are GigE Vision and GenICam compliance, which makes it plug-and-play when used with software packages such as IMAQ Vision and Halcon.</p>	
<p>Key features:</p> <ul style="list-style-type: none"> • Very affordable. • Compact. • GigE Vision and GenICam compliant. • GigE Vision lockable connector. • PoE (power over Ethernet). • 8-bit 640 × 512 pixel images streamed at 30 Hz, signal linear • 14-bit 640 × 512 pixel images streamed at 30 Hz, signal and temperature linear • Synchronization between cameras possible. • 1x+1x GPIO. • Compliant with any software that supports GenICam, including National Instruments IMAQ Vision, Stemmers Common Vision Blox, and COGNEX Vision Pro. 	
<p>Typical applications:</p> <ul style="list-style-type: none"> • Automation and thermal machine vision. • Entry level "high-speed" R&D. 	
Imaging and optical data	
IR resolution	640 × 512 pixels
Thermal sensitivity/NETD	< 0.05°C @ +30°C (+86°F) / 50 mK
Field of view (FOV)	25° × 20°
Minimum focus distance	30 cm (12 in.)
Focal length	25 mm (0.98 in.)
Spatial resolution (IFOV)	0.68 mrad
F-number	1.25
Image frequency	30 Hz
Focus	Fixed
Detector data	
Detector type	Focal plane array (FPA), uncooled VOX microbolometer
Spectral range	7.5–13 μm



FLIR A65 FOV 25 (30 Hz, ver. 2016)

P/N: 75025-0101

© 2019, FLIR Systems, Inc.

#75025-0101; r. 47938; en-US

Detector data	
Detector pitch	17 μ m
Detector time constant	Typical 12 ms

Measurement	
Object temperature range	<ul style="list-style-type: none"> -25 to +135°C (-13 to 275°F) -40 to +550°C (-40 to +1022°F)
Accuracy	\pm 5°C (\pm 9°F) or \pm 5% of reading

Measurement analysis	
Atmospheric transmission correction	Automatic, based on inputs for distance, atmospheric temperature and relative humidity
Optics transmission correction	Automatic, based on signals from internal sensors
Emissivity correction	Variable from 0.5 to 1.0
Reflected apparent temperature correction	Automatic, based on input of reflected temperature
External optics/windows correction	Automatic, based on input of optics/window transmission and temperature
Measurement corrections	Global object parameters


Ethernet	
Ethernet	Control and image
Ethernet, type	Gigabit Ethernet
Ethernet, standard	IEEE 802.3
Ethernet, connector type	RJ-45
Ethernet, communication	GigE Vision ver. 1.2 Client API GenICam compliant
Ethernet, image streaming	8-bit monochrome @ 30 Hz <ul style="list-style-type: none"> Signal linear/ DDE Automatic/ Manual Flip H&V 14-bit 640 \times 512 pixels @ 30 Hz <ul style="list-style-type: none"> Signal linear/ DDE Temperature linear GigE Vision and GenICam compatible
Ethernet, power	Power over Ethernet, PoE IEEE 802.3af class 0 Power
Ethernet, protocols	TCP, UDP, ICMP, IGMP, DHCP, GigEVision

Digital input/output	
Digital input, purpose	General purpose
Digital input	1 \times opto-isolated, "0" <1.2 VDC, "1" = 2–25 VDC.
Digital output, purpose	General purpose output to ext. device (programmatically set)
Digital output	1 \times opto-isolated, 2–40 VDC, max. 185 mA
Digital I/O, isolation voltage	500 VRMS
Digital I/O, supply voltage	2–40 VDC, max. 200 mA
Digital I/O, connector type	12-pole M12 connector (shared with Digital synchronization and External power)
Synchronization in, purpose	Frame synchronization in to control camera

P/N: 75025-0101

© 2019, FLIR Systems, Inc.

#75025-0101; r. 47938; en-US

Digital input/output	
Synchronization in	1x, non-isolated
Synchronization in, type	LVC Buffer @3.3V, "0" <0.8 V, "1">2.0 V.
Synchronization out, purpose	Frame synchronization out to control another FLIR Ax5 camera
Synchronization out	1x, non-isolated
Synchronization out, type	LVC Buffer @ 3.3V, "0"=24 MA max, "1"= -24 mA max.
Digital synchronization, connector type	12-pole M12 connector (shared with Digital I/O and External power)
Power system	
External power operation	12/24 VDC, < 3.5 W nominal < 6.0 W absolute max.
External power, connector type	12-pole M12 connector (shared with Digital I/O and Digital Synchronization)
Voltage	Allowed range 10–30 VDC
Environmental data	
Operating temperature range	-15°C to +60°C (+5°F to +140°F)
	<div style="border: 1px solid black; padding: 5px;"> <p> NOTE</p> <p>The operating temperature range assumes that the camera is mounted on the base support (included in the package) or a similar type of heatsink.</p> </div>
Storage temperature range	-40°C to +70°C (-40°F to +158°F)
Humidity (operating and storage)	IEC 60068-2-30/24 h 95% relative humidity +25° C to +40°C (+77°F to +104°F)
EMC	<ul style="list-style-type: none"> • EN 61000-6-2 (Immunity) • EN 61000-6-3 (Emission) • FCC 47 CFR Part 15 Class B (Emission)
Encapsulation	IP 40 (IEC 60529) with base support mounted
Shock	25 g (IEC 60068-2-27)
Vibration	2 g (IEC60068-2-6) and MIL-STD810G
Physical data	
Camera size (L x W x H)	107.8 x 49.6 x 46.6 mm (4.2 x 1.9 x 1.8 in.)
Tripod mounting	1 x UNC 1/4"-20 (with Base support accessory, included in the delivery box)
Base mounting	4 x M3 thread mounting holes (bottom)
Housing material	Magnesium and aluminum
Shipping information	
Packaging, type	Cardboard box
List of contents	<ul style="list-style-type: none"> • Infrared camera with lens • Base support • Printed documentation
EAN-13	7332558011119
UPC-12	845188011987
Country of origin	Sweden



FLIR A65 FOV 25 (30 Hz, ver. 2016)

P/N: 75025-0101

© 2019, FLIR Systems, Inc.

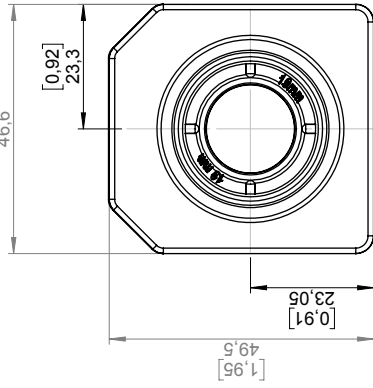
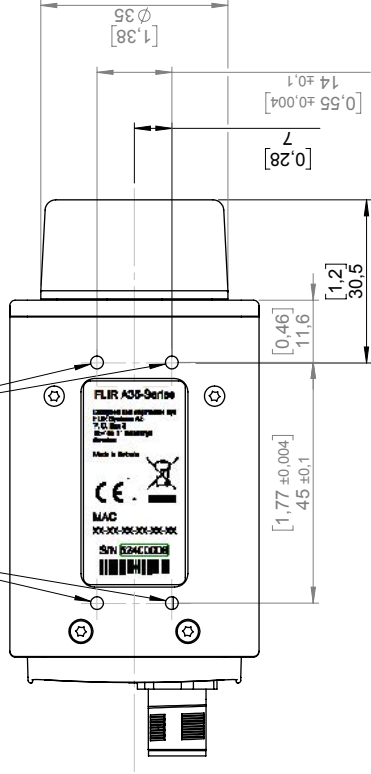
#75025-0101; r. 47938; en-US

Supplies & accessories:

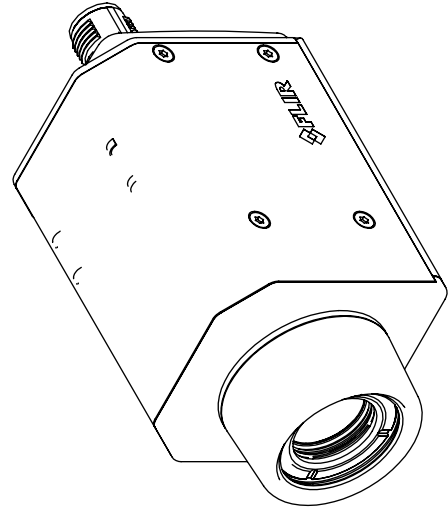
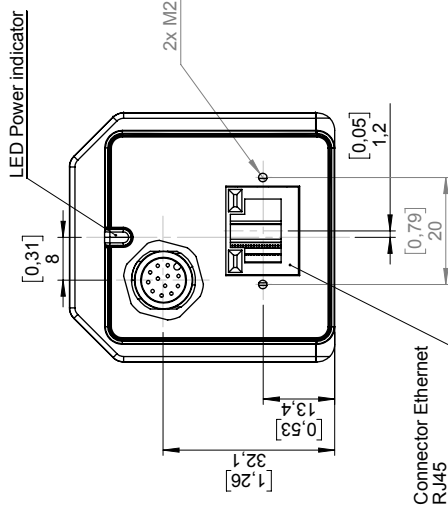
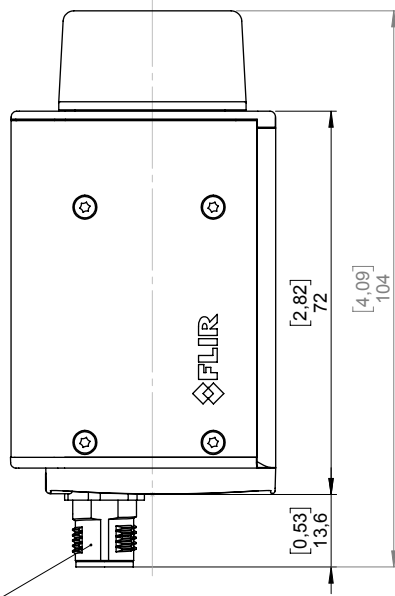
- T951004ACC; Ethernet cable CAT6, 2 m/6.6 ft.
- T198349; Base support
- T198348; Cable kit Mains (UK,EU,US)
- T127605ACC; Cable M12 Pigtail
- T127606ACC; Cable M12 Sync
- T199698; Environmental housing for Ax5
- T199356; FLIR Ax5 accessory starter kit
- T198342ACC; Focus adjustment tool
- T911183; Gigabit PoE injector 16 W, with multi-plugs
- T198392; Table stand kit
- T198594ACC; Transport case Ax5
- T199722; ThermoVision EFD, max. 2 cameras
- T199724; ThermoVision EFD, max. 4 cameras
- T300243; FLIR Thermal Studio Pro, 1 Year Subscription
- T300083; FLIR Thermal Studio Pro, Perpetual license
- T300258; FLIR Thermal Studio, Perpetual license
- T198584; FLIR Tools
- T198583; FLIR Tools+ (download card incl. license key)
- T199233; FLIR Atlas SDK for .NET
- T199234; FLIR Atlas SDK for MATLAB
- 4220499; FLIR Research Studio - 1 Year Subscription (online activation)
- 4220500; FLIR Research Studio - Perpetual License (online activation)
- 4220646; FLIR Research Studio - Perpetual License (USB dongle)
- INST-EW-0135; Extended Warranty 1 Year for A35, A65
- INST-EWGM-0135; Premium Service Package for A35, A65, E53, E75, E85, E95
- INST-GM-0125; General Maintenance Package for A35, A65, Exx, Kxx

Basic dimensions
for cameras with
focal length:
f= 7,5 mm
f= 9 mm
f=13 mm
f=19 mm

4x M3
Depth max 4 mm

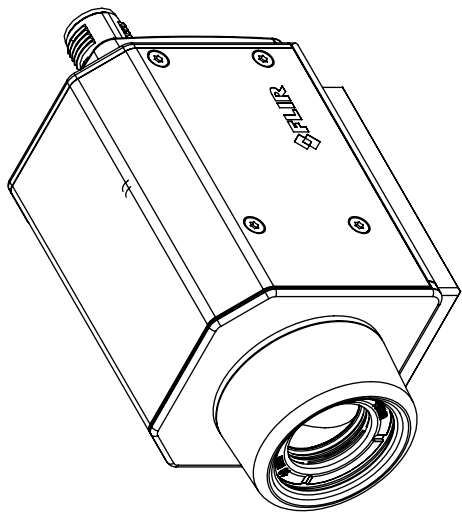
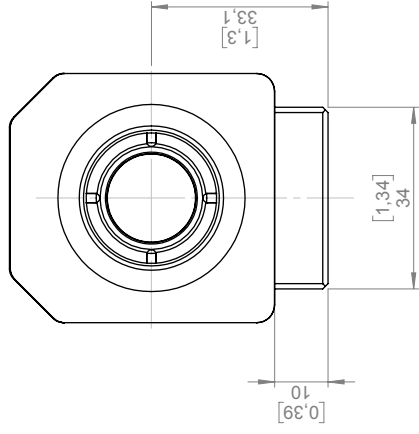
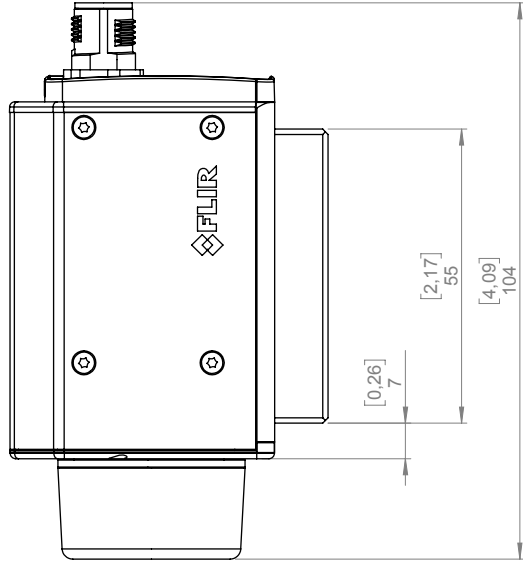
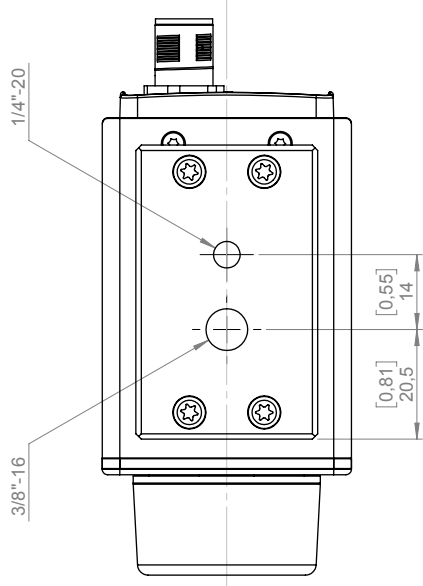


Connector GP I/O
M12 12-pin



FLIR		Material	
Konstr/Drawn P. MARCUS		-	
Datum/Date 2015-12-14		Kontr/Check	
Ändrad av/Modified by P. MARCUS		Ytbehandling/Surface treatment	
Gen tol ISO 2768-mK		Ra μm	
Utdrag utifrån/Excerpt from ISO 2768-m		Benämning/Denomination	
0,5-6 ±0,1 Hållisradier		Basic dimensions Ax5 w. flag shutter	
(6)-30 ±0,2 Fillet radii		f=7,5 mm to f=100 mm	
(120)-400 ±0,5 Kanter brutna		Scale/Scale	
(400)-1000 ±0,8 Edges broken		1:1	
BladSheet Size A3		Rev -002	
Rit nr/Drawing No T129297		Art.Nr.	

Basic dimensions for
add-on base support

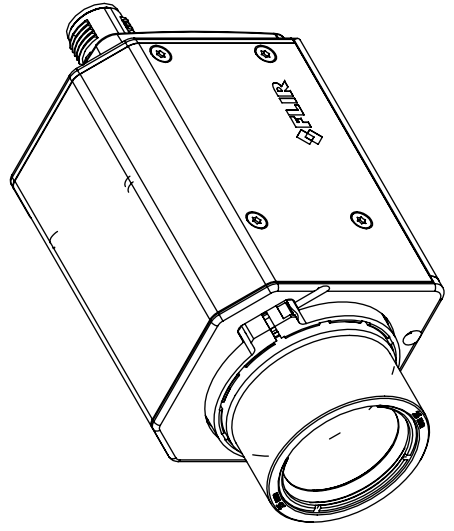
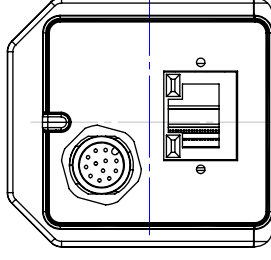
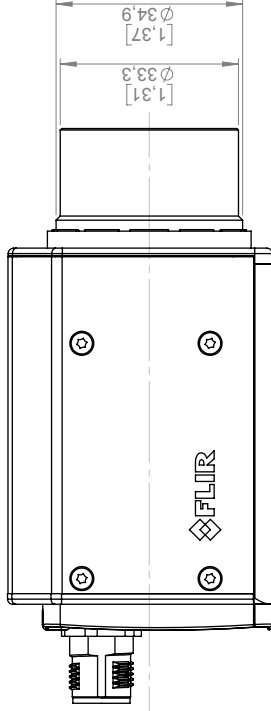
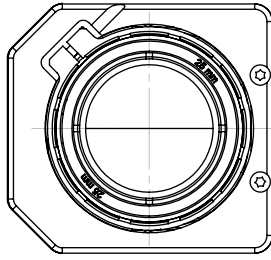
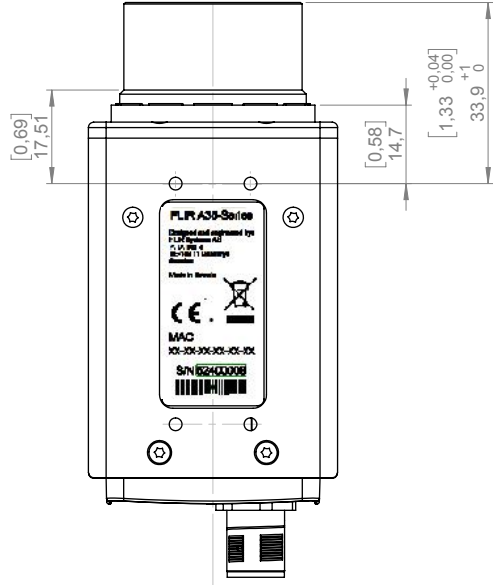


Konstr/Drawn P. MARCUS		Datum/Date 2015-12-14	Kontr/Check -	Material -
Ändrad av/Modified by P. MARCUS		Ändrad/Modified 2016-10-18	Ytjämnhet/Roughness Ra	Ytbehandling/Surface treatment
Där ej annat anges/Unless otherwise stated Utdrag ur/Excerpt from ISO 2768-m		Benämning/Denomination		
0.5-6 0.1-0.2 0.1-0.2 0.1-0.2 0.1-0.2 0.1-0.2 0.1-0.2 0.1-0.2		1:1		
Hål/sår Hål/sår Hål/sår Hål/sår Hål/sår Hål/sår Hål/sår Hål/sår		Blad/Sheet 2(7)		
Kant/bult Kant/bult Kant/bult Kant/bult Kant/bult Kant/bult Kant/bult Kant/bult		Skala/Scale 1:1		
0.1-0.2 0.1-0.2 0.1-0.2 0.1-0.2 0.1-0.2 0.1-0.2 0.1-0.2 0.1-0.2		A/Nr. T129297		
0.1-0.2 0.1-0.2 0.1-0.2 0.1-0.2 0.1-0.2 0.1-0.2 0.1-0.2 0.1-0.2		Rev -002		
0.1-0.2 0.1-0.2 0.1-0.2 0.1-0.2 0.1-0.2 0.1-0.2 0.1-0.2 0.1-0.2		Rin nr/Drawing No T129297		
Basic dimensions Ax5 w. flag shutter f=7.5 mm to f=100 mm				



FLIR SYSTEMS AB
Övertävlade hävar beivras med stöd av gällande lag.
This document must not be communicated or
copied completely or in part, without our permission.
FLIR SYSTEMS AB

Basic dimensions:
 Camera with focal length
 f=25 mm IR lens.
 Only dimensions valid for
 this IR lens.
 For all other dimensions see pages
 1 and 2.



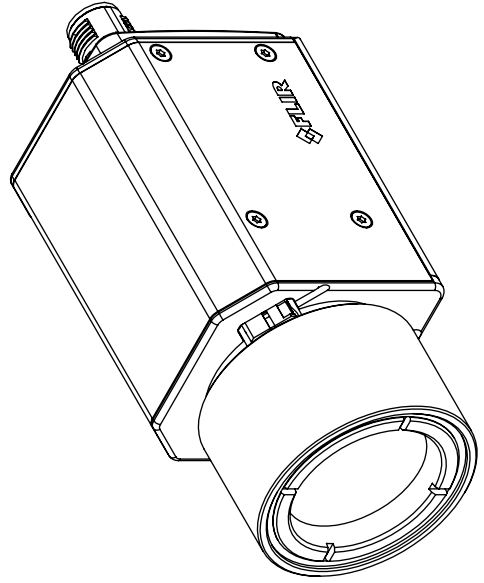
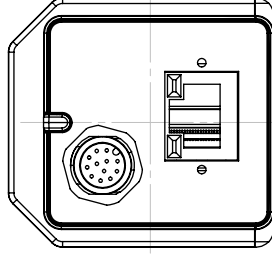
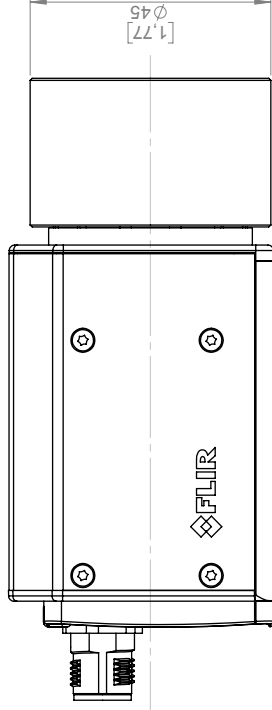
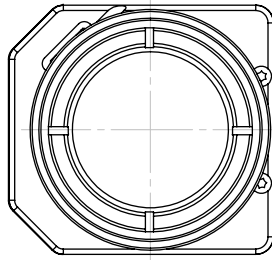
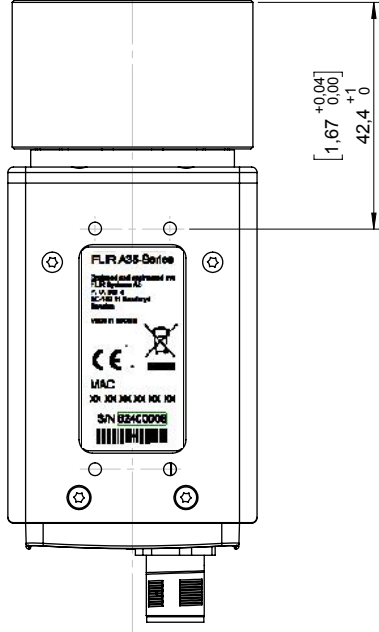
This document must not be communicated or copied completely or in part, without our permission.
 FLIR SYSTEMS AB

Denna handling får ej delas annan, kopieras i sin helhet eller delar utan vårt medgivande.
 Övertalade hävar beivras med stöd av gällande lag.
 FLIR SYSTEMS AB

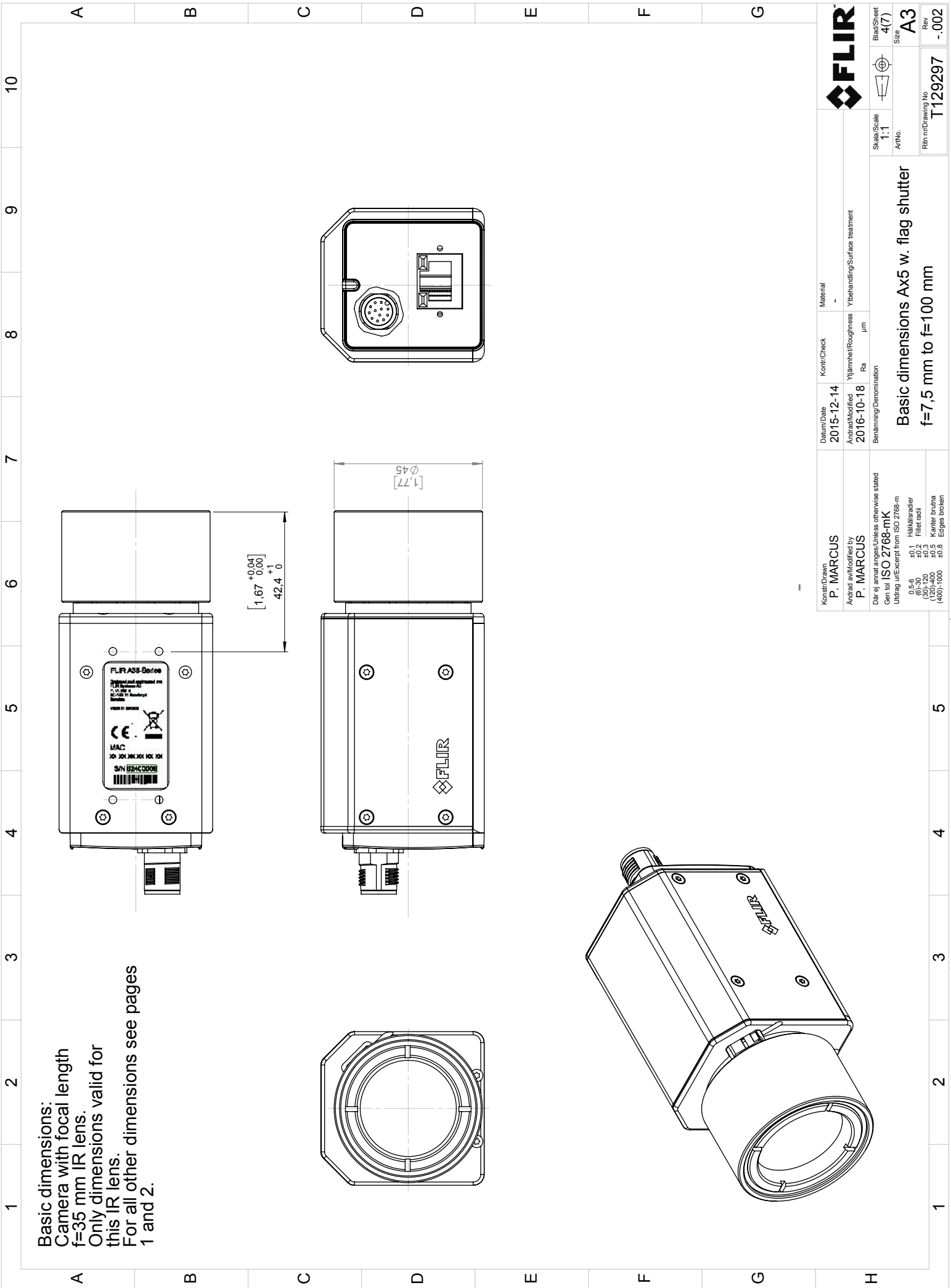
Konstr/Drawn P. MARCUS		Datum/Date 2015-12-14	Kontr/Check -	Material -
Ändrad av/Modified by P. MARCUS		Ändrad/Modified 2016-10-18	Ytjämnhet/Roughness Ra	Ytbehandling/Surface treatment µm
Gen tel ISO 2768-mK Utdrag ut/except from ISO 2768-m		Benämning/Denomination Basic dimensions Ax5 w. flag shutter f=7,5 mm to f=100 mm		
0,5-6 0,7-30 0,2 120-400 40,5 400-1000 ±0,8		Höjlsradier Filter radii Kantler brutna Edges broken		
Blad/Sheet 3(7)		Scale/Scale 1:1		
Rev A3		ArtNo. T129297		
Ritning/Drawing No. T129297		Rev -002		



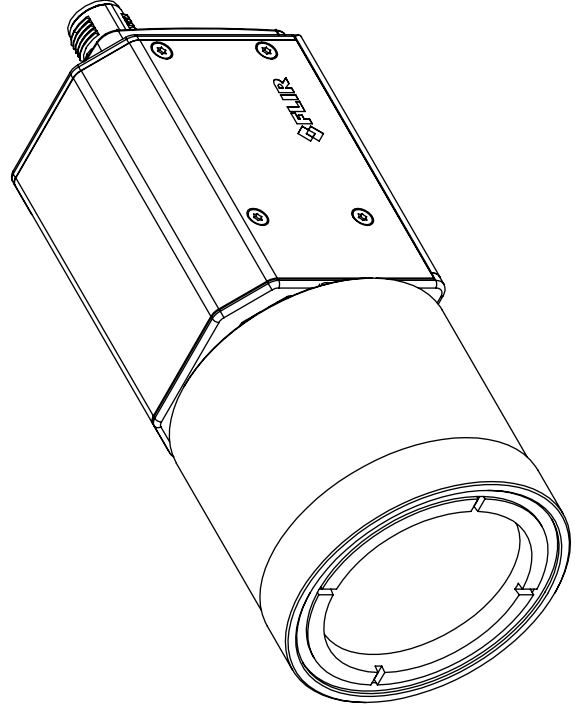
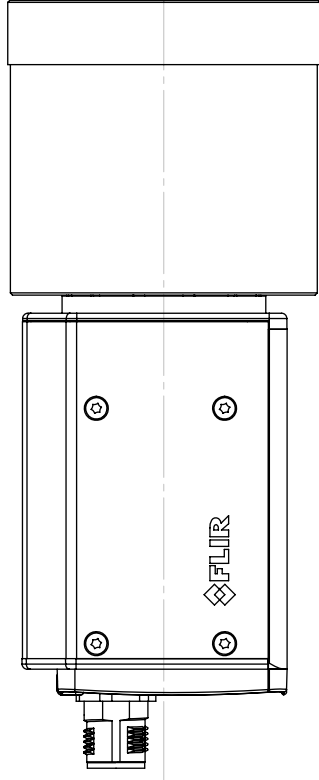
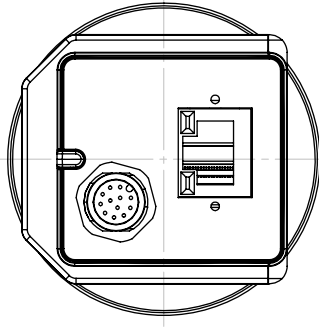
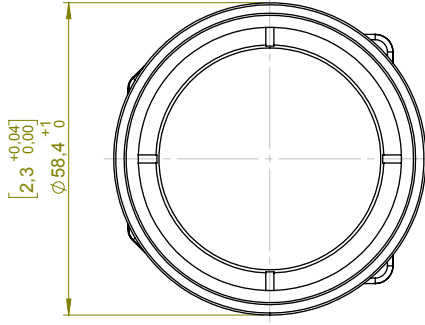
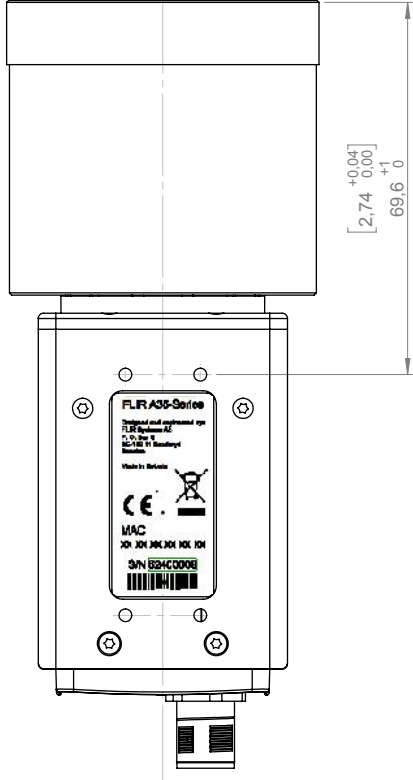
Basic dimensions:
 Camera with focal length
 f=35 mm IR lens.
 Only dimensions valid for
 this IR lens.
 For all other dimensions see pages
 1 and 2.



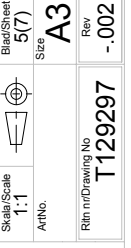
Konstr/Drawn P. MARCUS		Datum/Date 2015-12-14	Kontr/Check -	Material -
Ändrad av/Modified by P. MARCUS		Ändrad/Modified 2016-10-18	Ytjämnhet/Roughness Ra	Ytbehandling/Surface treatment µm
Där ej annat anges/Unless otherwise stated Utöver uträknat från ISO 2768-m		Benämning/Denomination Basic dimensions Ax5 w. flag shutter f=7.5 mm to f=100 mm		
0.5-6 6.3-30 63-300 120-400 400-1000		Höjlsradier Filter radii Kantlar brutna Edges broken		
Stapel/Scale 1:1		Blad/Sheet 4(7)		
Artno. T129297		Rev -002		



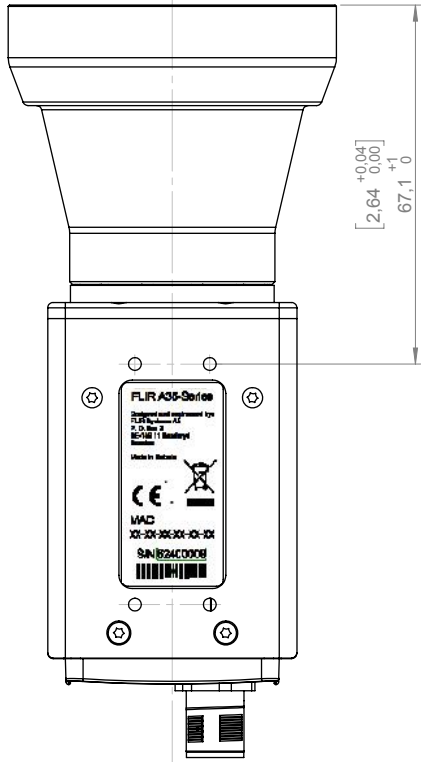
Basic dimensions:
 Camera with focal length
 f=50 mm IR lens.
 Only dimensions valid for
 this IR lens.
 For all other dimensions see pages
 1 and 2.



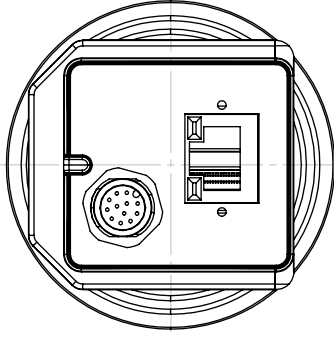
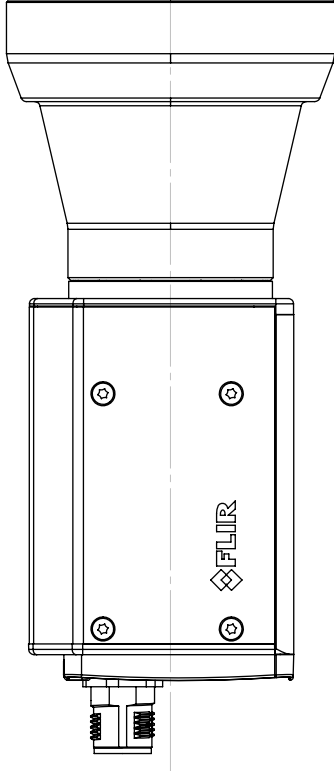
Konstr/Drawn P. MARCUS		Datum/Date 2015-12-14	Kontr/Check -	Material -
Ändrad av/Modified by P. MARCUS		Ändrad/Modified 2016-10-18	Ytjämnhet/Roughness Ra	Ytbehandling/Surface treatment µm
Där ej annat anges/Unless otherwise stated Utdrag ur/except from ISO 2768-m		Benämning/Denomination Basic dimensions Ax5 w. flag shutter f=7,5 mm to f=100 mm		
0,5-6 (6)-30 (120)-400 (400)-1000		±0,1 ±0,2 ±0,5 ±0,8		Skala/Scale 1:1
Höjlsradier Filter radii		Blad/Sheet 5(7)		Rev A3
Kantlar brutna Edges broken		Ritning/Drawing No. T129297		Proj -002



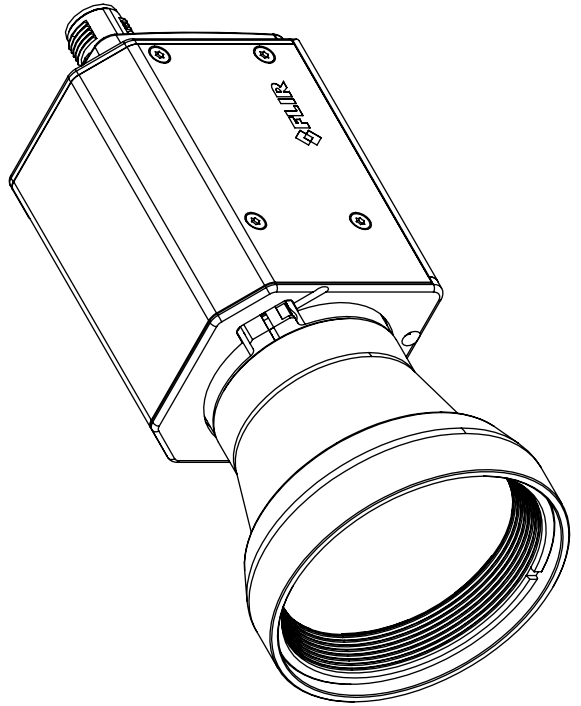
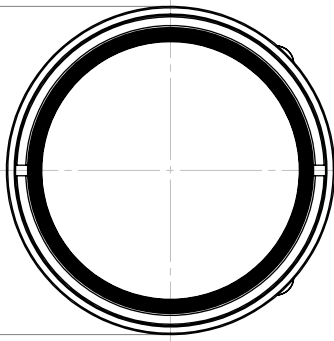
Basic dimensions:
 Camera with focal length
 f=60 mm IR lens.
 Only dimensions valid for
 this IR lens.
 For all other dimensions see pages
 1 and 2.



[2,64^{+0,04}
0,00⁺¹
67,1 0



[2,42^{+0,04}
0,00⁺¹
Ø 61,4 0

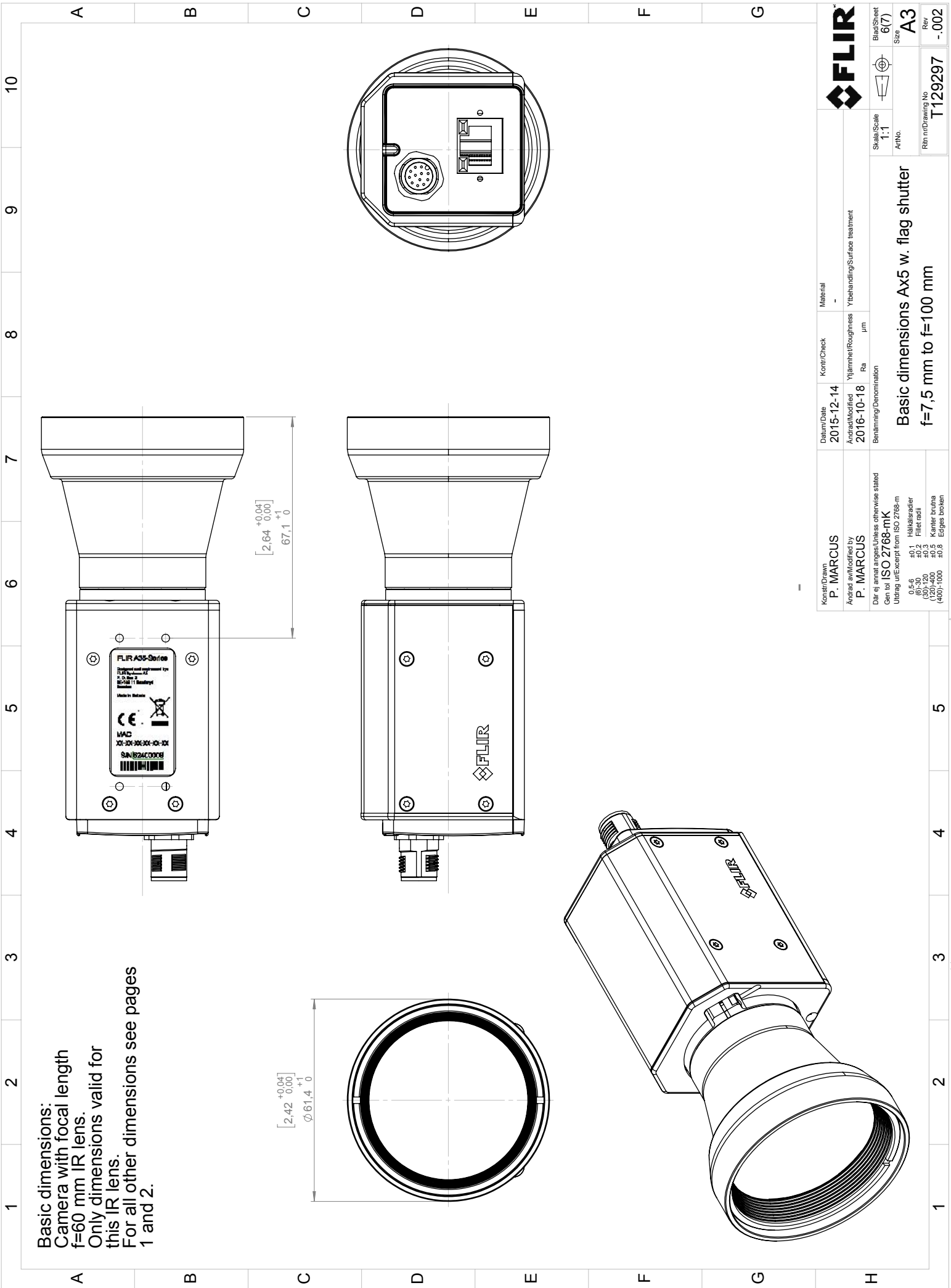


This document must not be communicated or copied completely or in part, without our permission. FLIR SYSTEMS AB

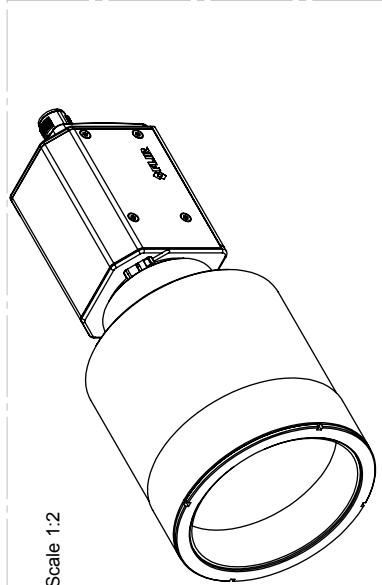
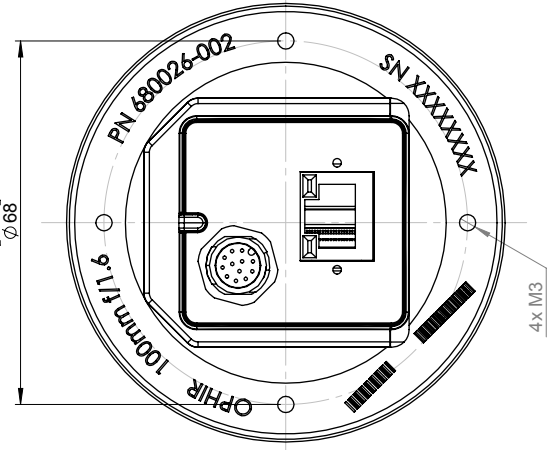
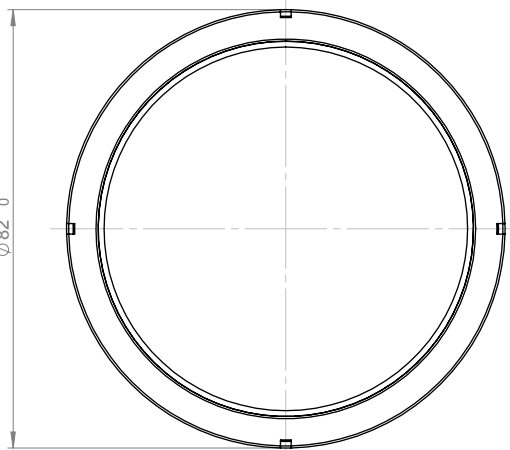
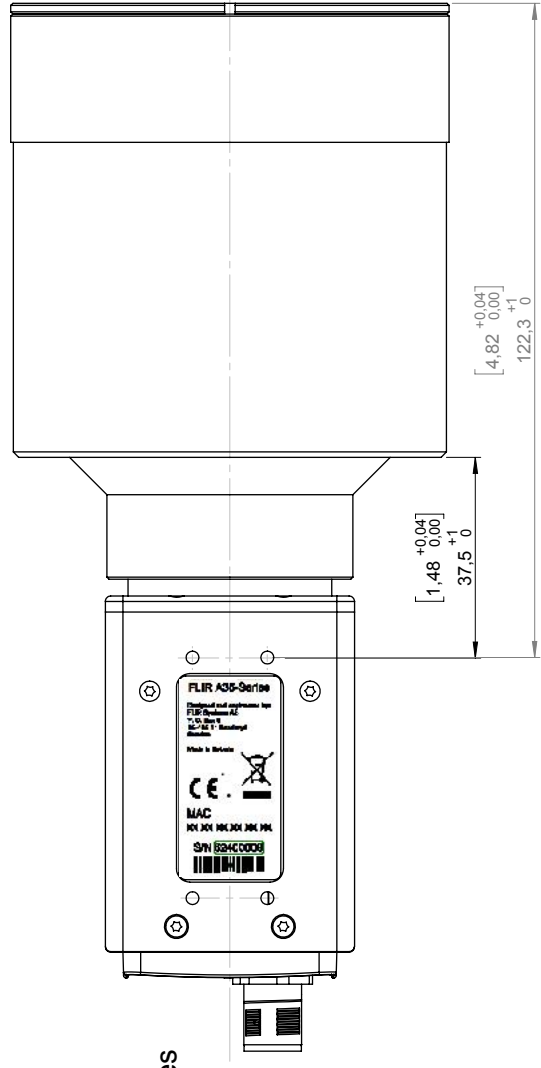
Överräddelse härav beivras med stöd av gällande lag. FLIR SYSTEMS AB

Den här handling är ett tekniskt dokument. Överräddelse härav beivras utan vårt medgivande. FLIR SYSTEMS AB

Konstr/Drawn P. MARCUS	Datum/Date 2015-12-14	Kontr/Check -	Material -
Ändrad av/Modified by P. MARCUS	Ändrad/Modified 2016-10-18	Ytjämnhet/Roughness Ra	Ytbehandling/Surface treatment µm
Där ej annat anges/Unless otherwise stated Utdrag ur/Excerpt from ISO 2768-m	Benämning/Denomination Basic dimensions Ax5 w. flag shutter f=7,5 mm to f=100 mm		
0,5-6 6,3-30 63-300 120-400 400-1000	Höjlsradier Filter radii Kantler brutna Edges broken		
Blad/Sheet 6(7)		Skala/Scale 1:1	
SIS A3		Artno. T129297	
Rev -002		Ritning/Drawing No. T129297	

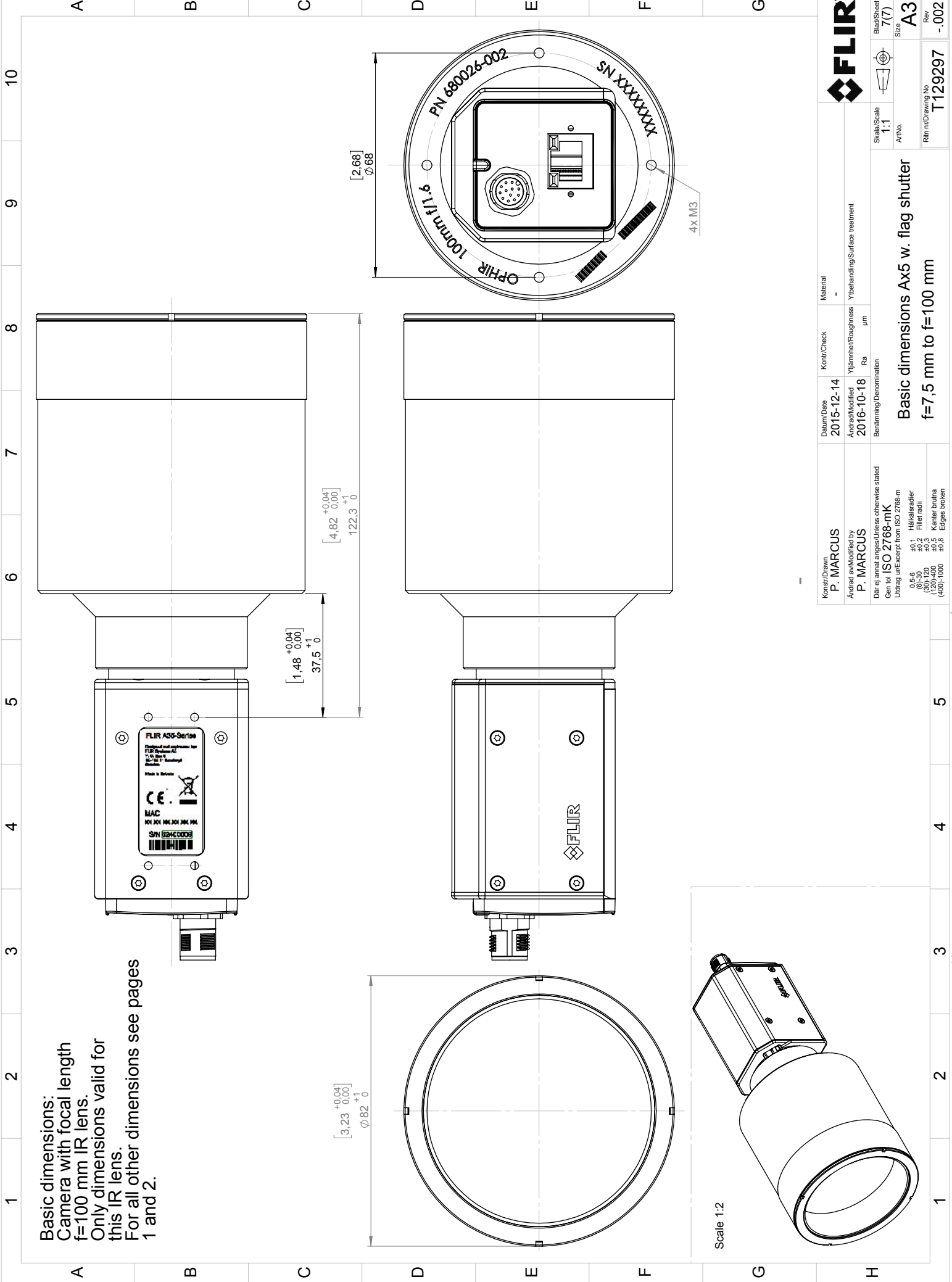


Basic dimensions:
 Camera with focal length
 f=100 mm IR lens.
 Only dimensions valid for
 this IR lens.
 For all other dimensions see pages
 1 and 2.



FLIR		Blad/Sheet 7(7)		Scale/Scale 1:1	
Konstr/Drawn P. MARCUS		Kontr/Check -		Material -	
Datum/Date 2015-12-14		Ytämmer/Roughness Ra		Ytbehandling/Surface treatment	
Ändrad av/Modified by P. MARCUS		Benämning/Denomination		Artno. T129297	
Där ej annat anges/Unless otherwise stated		Utdrag ur/Excerpt from ISO 2768-m		Rin nr/Drawing No. T129297	
0.5-6		±0.1		Höjlsradier	
6.7-20		±0.2		Fileradii	
(120)-400		±0.5		Kantler brutna	
(400)-1000		±0.8		Kantler brutna	
				Rev -	
				Size A3	
				-002	

Basic dimensions Ax5 w. flag shutter
 f=7.5 mm to f=100 mm





The World's Sixth Sense™

May 25, 2018 Täby, Sweden

AQ320295

CE Declaration of Conformity – EU Declaration of Conformity

Product: FLIR Ax5 -series

Name and address of the manufacturer:

FLIR Systems AB

PO Box 7376

SE-187 15 Täby, Sweden

This declaration of conformity is issued under the sole responsibility of the manufacturer.

The object of the declaration: FLIR Ax5 -series.

The object of the declaration described above is in conformity with the relevant Union harmonisation legislation:

Directives:

Directive: 2011/65/EU

RoHS

Directive 2014/30/EU

Electromagnetic Compatibility

Standards:

Emission: EN 61000-6-3:2007

EMC Emission residential, commercial, light-industrial

Immunity: EN 61000-6-2:2005

EMC Immunity for industrial environments

FLIR Systems AB

Quality Assurance

Lea Dabiri

Quality Manager