


P/N: 86000-0000

© 2020, FLIR Systems, Inc.

#86000-0000; r. 66117;

Imaging and optical data	
Image frequency	30 Hz
Focus	<ul style="list-style-type: none"> • One-shot contrast • Motorized • Manual
Detector data	
Focal plane array/spectral range	Uncooled microbolometer/7.5–14 μm
Detector pitch	24 μm
Measurement	
Camera temperature range	<ul style="list-style-type: none"> • –20 to 120°C (–4 to 248°F) • 0 to 650°C (32 to 1202°F) • 300 to 2000°C (572 to 3632°F)
Object temperature range and accuracy (for ambient temperature 15–35°C (59–95°F))	<ul style="list-style-type: none"> • Range –20 to 120°C (–4 to 248°F): <ul style="list-style-type: none"> ◦ –20 to 100°C (–4 to 212°F), accuracy ±2°C (±3.6°F) ◦ 100 to 120°C (212 to 248°F), accuracy ±2% • Range 0 to 650°C (32 to 1202°F): <ul style="list-style-type: none"> ◦ 0 to 100°C (32 to 212°F), accuracy ±2°C (±3.6°F) ◦ 100 to 650°C (212 to 1202°F), accuracy ±2% • Range 300 to 2000°C (572 to 3632°F): <ul style="list-style-type: none"> ◦ accuracy ±2%
Screening mode	
Sampling average mode	<p>Recommended temperature range: 30 to 45°C (86 to 113°F) in stable room temperature</p> <p>Accuracy (drift): ±0.3°C (±0.5°F)¹</p> <div style="border: 1px solid black; padding: 5px; margin-top: 10px;"> <p> NOTE</p> <p>Only valid when the camera is purchased with the Advanced Smart Sensor configuration.</p> </div>
Ethernet	
Interface	<ul style="list-style-type: none"> • Wired • Wi-Fi (option)
Connector type	<ul style="list-style-type: none"> • M12 8-pin X-coded, Female • RP-SMA, Female
Ethernet, purpose	Control, result, image, and power
Ethernet, type	1000 Mbps
Ethernet, standard	IEEE 802.3
Ethernet, communication	See <i>Smart Sensor and Image Streaming configurations</i>
Ethernet, power	Power over Ethernet, PoE IEEE 802.3af class 3
Ethernet, protocols	See <i>Smart Sensor and Image Streaming configurations</i>

1. No external blackbody needed.



FLIR A400 Thermal Core

P/N: 86000-0000

© 2020, FLIR Systems, Inc.

#86000-0000; r. 66117;

Digital Input/ output	
Connector type	M12 12-pin A-coded, Male (shared with external power)
Digital input	2x opto-isolated Vin(low)= 0–1.5 V, Vin(high)= 3–25 V
Digital input, purpose	<i>See Smart Sensor and Image Streaming configurations</i>
Digital output	<ul style="list-style-type: none"> • 3x opto-isolated, 0–48 V DC, max. 350 mA (derated to 200 mA at 60C) • Solid state opto relay • 1x dedicated as Fault output (NC)
Digital output, purpose	<i>See Smart Sensor and Image Streaming configurations</i>
Digital I/O, isolation voltage	500 VRMS
Power system	
Connector type	M12 12-pin A-coded, Male (shared with Digital I/O)
Power consumption	<ul style="list-style-type: none"> • 7.5 W at 24 V DC typical • 7.8 W at 48 V DC typical • 8.1 W at 48 V PoE typical
External power operation	24/48 V DC 8 W max
External voltage	Allowed range 18–56 V DC
RS-232/485 serial interface	
Connector type	M8 A-coded, Male
Prerequisite for use	<i>See Advanced Smart Sensor and Advanced Image Streaming configurations</i>
Serial communication, purpose	<i>See Advanced Smart Sensor and Advanced Image Streaming configurations</i>
Serial communication, standard	<i>See Advanced Smart Sensor and Advanced Image Streaming configurations</i>
Serial communication, HW interface	<i>See Advanced Smart Sensor and Advanced Image Streaming configurations</i>
Scanlist support	<i>See Advanced Smart Sensor and Advanced Image Streaming configurations</i>
Wi-Fi (Option)	
Connector type	RP-SMA, Female
Standard	<i>See Wi-Fi option</i>
Antenna	<i>See Wi-Fi option</i>
Connection type	<i>See Wi-Fi option</i>
Environmental data	
Operating temperature range	–20 to 50°C (–4 to 122°F) Cooling plate is needed in temperatures above 40°C (104°F). Maximum camera case temperature: 65°C (149°F)
Storage temperature range	IEC 68-2-1 and IEC 68-2-2, –40 to 70°C (–40 to 158°F) for 16 hours
Humidity (operating and storage)	IEC 60068-2-30/24 hours, 95% relative humidity, 25–40°C (77–104°F)/2 cycles

P/N: 86000-0000

© 2020, FLIR Systems, Inc.

#86000-0000; r. 66117;

Environmental data	
EMC	<ul style="list-style-type: none"> ETSI EN 301 489-1 (radio) ETSI EN 301 489-17 (radio) EN 61000-4-8 (magnetic field) FCC 47 CFR Part 15 Class B (emission US) ISO 13766-1 (EMC - Earth-moving and building construction machinery) EN ISO 14982 (EMC - Agricultural and forestry machinery)
Radio spectrum	<ul style="list-style-type: none"> FCC 47 CFR Part 15 Class C (2.4 GHz band US) FCC 47 CFR Part 15 Class E (5 GHz band US) RSS-247 (2.4 GHz and 5 GHz band Canada) ETSI EN 300 328 V2.1.1 (2.4 GHz band EU) ETSI EN 301 893 V2.1.1 (5 GHz band EU)
Encapsulation	IEC 60529, IP 54, IP66 with accessory
Shock	IEC 60068-2-27, 25 g
Vibration	<ul style="list-style-type: none"> IEC 60068-2-6, 0.15 mm at 10–58 Hz and 2 g at 58–500 Hz, sinusoidal IEC 61373 Cat 1 (Railway)
Safety	IEC 62368-1 (IT equipment audio-visual products)
Corrosion	<ul style="list-style-type: none"> ISO 12944 C4 G or H EN60068-2-11
Physical data	
Weight (including 24° lens)	0.82 kg (1.8 lb)
Size (L × W × H)	123 × 77 × 77 mm (4.84 × 3.03 × 3.03 in)
Base mount	4x M4 on 4 sides
Tripod mounting	UNC ¼"-20 on 2 sides
Housing material	Aluminium
Color	Black
Warranty and service	
Warranty	http://www.flir.com/warranty/
Shipping information	
Packaging, type	Cardboard box
Packaging, contents	<ul style="list-style-type: none"> Infrared camera (without lens) Ethernet cable M12 to RJ45F (0.3 m), P/N T911869ACC Printed documentation including the username and password for log in to the web interface of the camera
Packaging, weight	1.14 kg (2.51 lb)
Packaging, size	207 × 142 × 129 mm (8.15 × 5.59 × 5.08 in)
EAN-13	7332558026618
UPC-12	845188022518
Country of origin	Sweden

Supplies & accessories:

- T300216; Axxx Accessory kit
- T911850ACC; Antenna for WLAN 2.4/5 GHz
- T300268ACC; A-series connection board



FLIR A400 Thermal Core

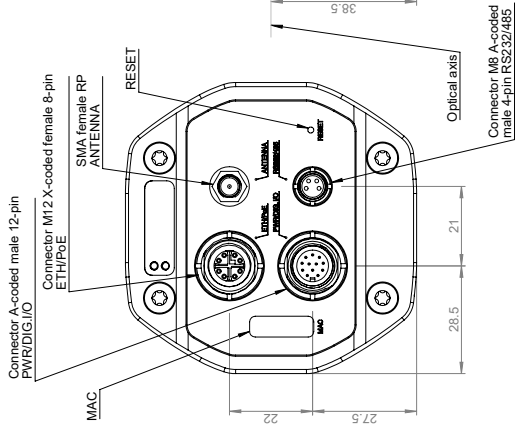
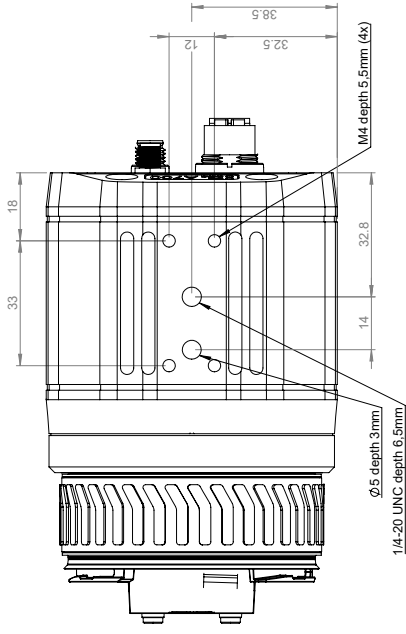
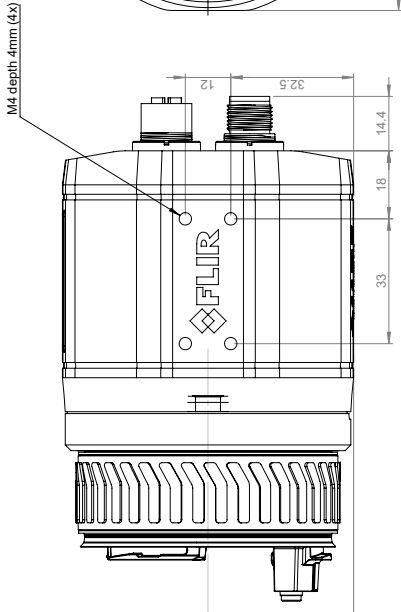
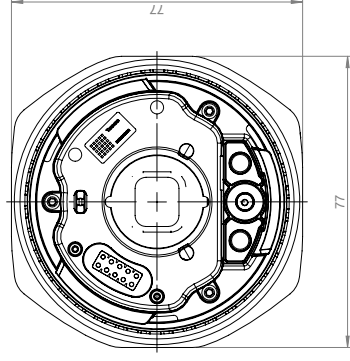
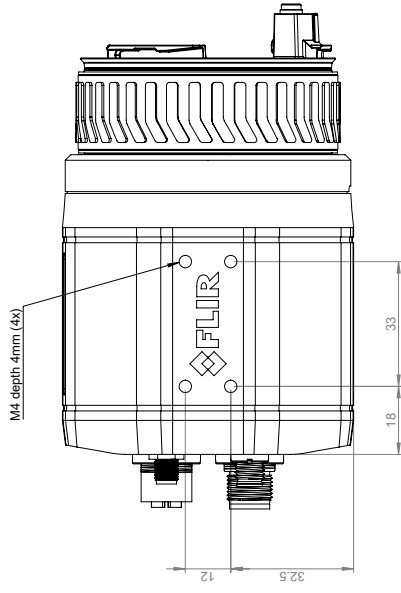
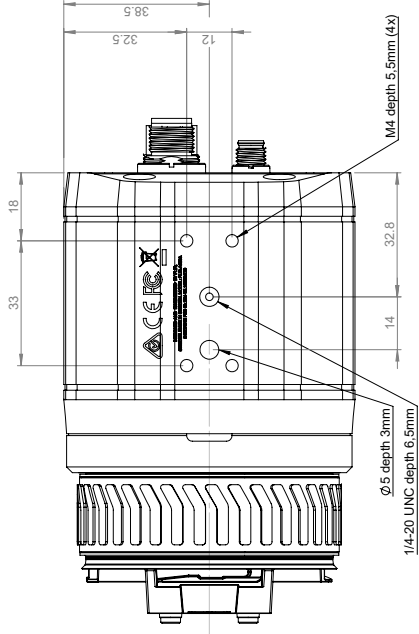
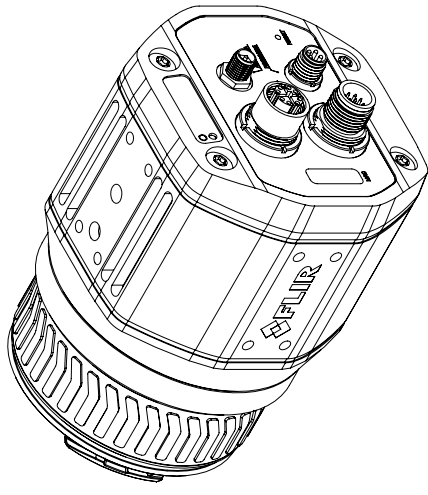
P/N: 86000-0000

© 2020, FLIR Systems, Inc.

#86000-0000; r. 66117;

- T911853ACC; Cable M12 to pigtail, 10 m
- T911852ACC; Cable M12 to pigtail, 2 m
- T300202; Connector cap kit
- T130665ACC; Cooling plate
- T911855ACC; Ethernet cable M12 to RJ45, 10 m
- T911854ACC; Ethernet cable M12 to RJ45, 2 m
- T911869ACC; Ethernet cable M12 to RJ45F, 0.3 m
- T300163; Hard case for FLIR A400/A700 series
- T300075ACC; IP hood for lens
- T300218; Two-ball mounting bracket kit
- T951004ACC; Ethernet cable CAT6, 2 m/6.6 ft.
- T911183; Gigabit PoE injector 16 W, with multi-plugs
- T199609; Option, Macro mode 50/71/101 μm for 24°
- T199507; Gigabit PoE injector 15 W
- T300095; IR lens, f=70 mm (6°) with case
- T300241; IR lens, f=29 mm (14°)
- T300240; IR lens, f=17 mm (24°)
- T300239; IR lens, f=10 mm (42°)
- T300292; Advanced Image Streaming configuration
- T300293; Advanced Smart Sensor configuration
- T300295; Option, Visual camera including MSX
- T911850; Antenna WLAN 2.4/5 GHz + Wi-Fi
- 4220499; FLIR Research Studio - 1 Year Subscription (online activation)
- 4220500; FLIR Research Studio - Perpetual License (online activation)
- 4220646; FLIR Research Studio - Perpetual License (USB dongle)
- INST-GM-0130; General Maintenance Package for A4xx

Default

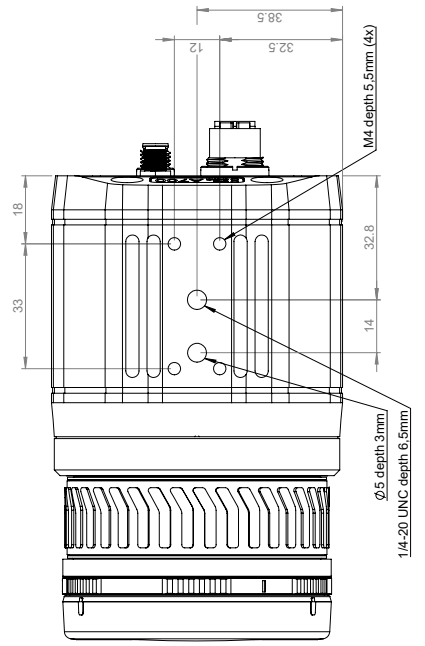
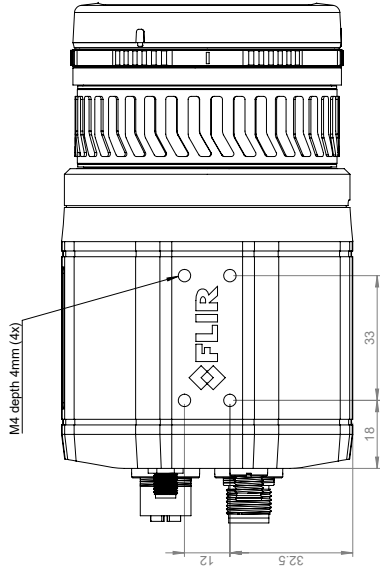
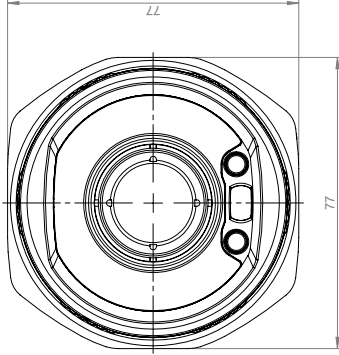
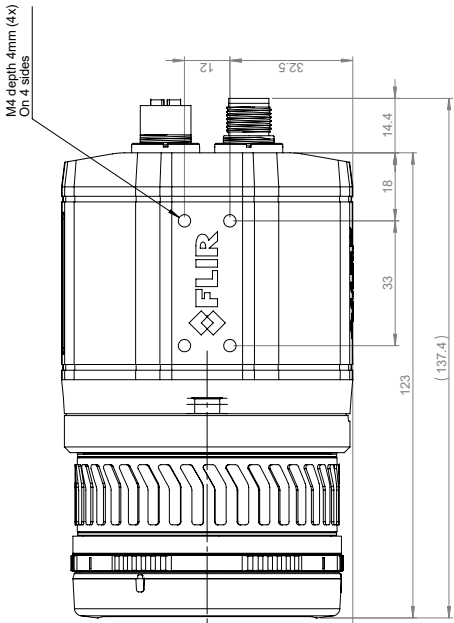
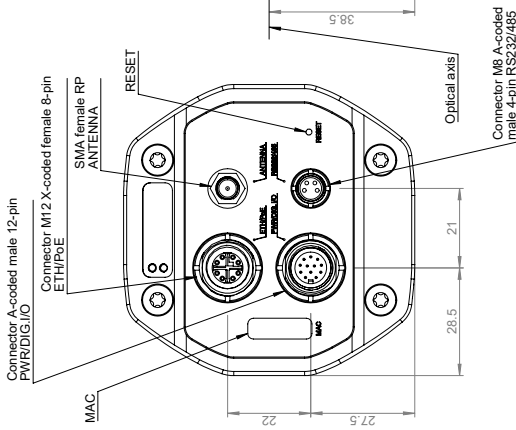
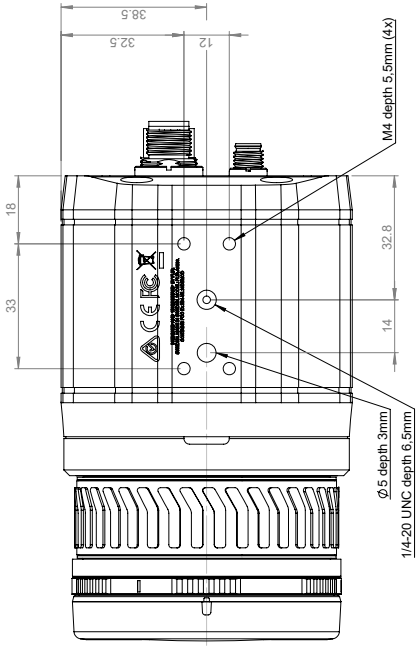
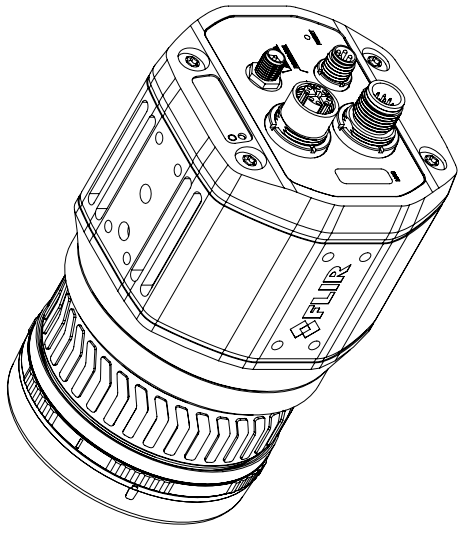


©2016 FLIR Systems, Inc. All rights reserved worldwide. No part of this drawing may be reproduced, stored in a retrieval system, or transmitted in any form, or by any means, electronic, mechanical, photocopying, recording, or otherwise, without written permission from FLIR Systems, Inc. Specifications subject to change without further notice. Dimensional data is based on nominal values. Products may be subject to regional market considerations. License procedures may apply. Product may be subject to US Export Regulations. Please refer to exportquestions@flir.com with any questions. Dimensional data is based on nominal values. Products may be subject to regional market considerations. License procedures may apply.

Modified	2020-01-10	Check	-	Drawn by	R&D Instruments	Size	A2	
Determination						Scale	1:1	
						Sheet	1(3)	
						Rev	A	
						Drawing No.	T130771	
Basic dimension Axxx/GF7xa								



Incl. STD Lenses & Macro

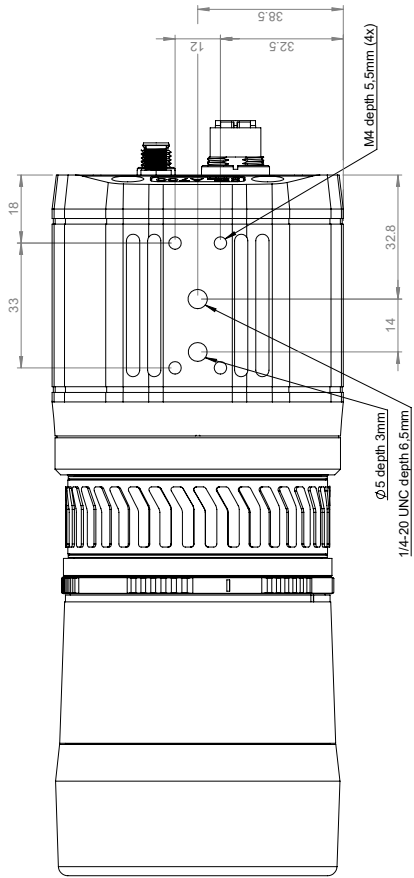
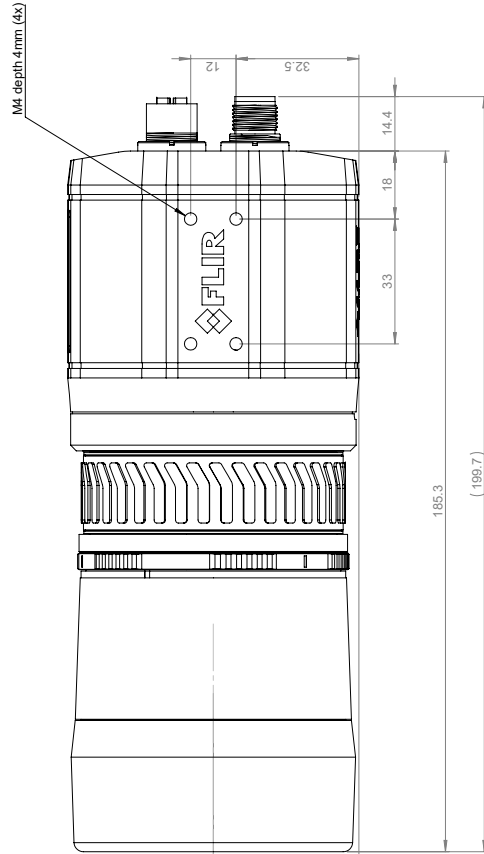
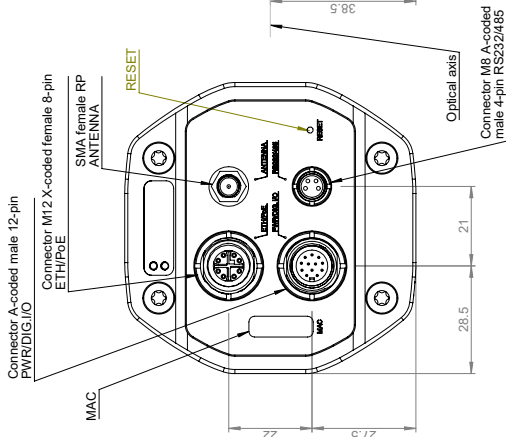
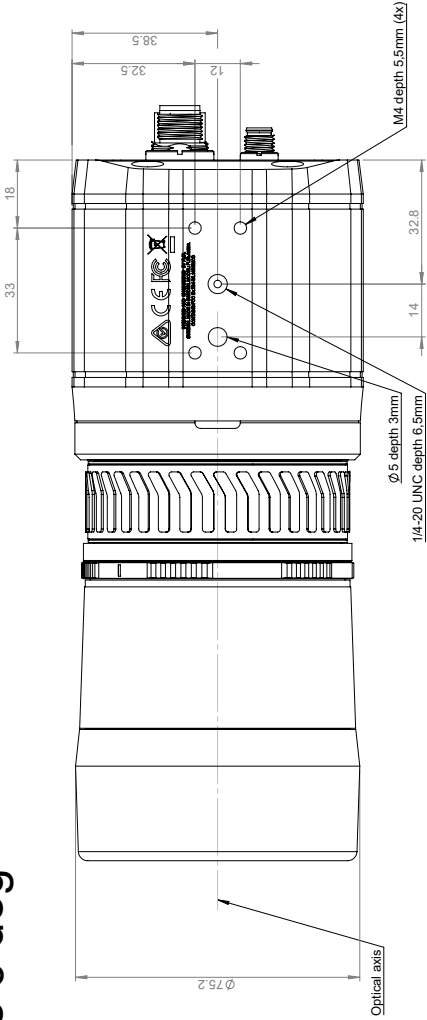
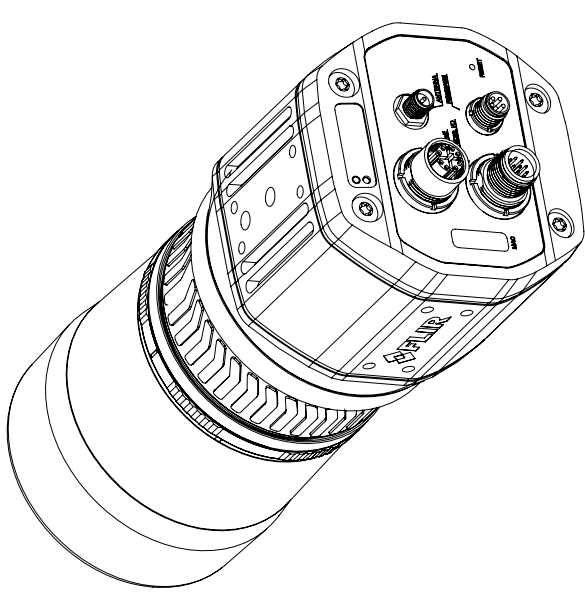


Basic dimensions for cameras with focal length:
 f = 10mm
 f = 14mm
 f = 20mm
Macro WD=18mm

Modified	2020-01-10	Check	-	Drawn by	R&D Instruments	Size	A2
Denomination						Scale	1:1
						Sheet	2(3)
						Drawing No.	1130771
						Rev.	A
Basic dimension Axxx/GF7xa							



Incl. IR Lens 6 deg



Basic dimensions for cameras with focal length:
f = 70mm

Modified	2020-01-10	Check	-	Drawn by	R&D Instruments	Size	A2
Denomination						Scale	1:1
						Sheet	3(3)
						Drawn No.	T130771
						Rev.	A

Basic dimension Axxx/GF7xa



April 17, 2020 Täby, Sweden

AQ320379

CE Declaration of Conformity – EU Declaration of Conformity

Product: FLIR A4XX-, A7XX-series and GF7Xa

Name and address of the manufacturer:

FLIR Systems AB

PO Box 7376

SE-187 15 Täby, Sweden

This declaration of conformity is issued under the sole responsibility of the manufacturer.

The object of the declaration: FLIR A4XX-, A7XX-series and GF7Xa (Product Model Name FLIR-A8590).

The object of the declaration described above is in conformity with the relevant Union harmonisation legislation:

Directives:

Directive	2012/19/EU	Waste electrical and electric equipment
Directive	2011/65/EU	RoHS and 2015/830/EU (Phtalates)
Directive	2014/53/EU	Radio Equipment Directive (RED)

Standards:

Emission:	EN 55032:2015	Electromagnetic compability multimedia
Immunity:	EN 55035:2017	Electromagnetic Compability Multimedia
	ETSI EN 301489-1 v2.2.1	ERM – EMC for radio equipment
	ETSI EN 301489-17 v3.2.0	ERM – EMC Wideband data
Radio:	ETSI EN 300 328 v2.1.1	Harmonized EN covering essential requirements of the R&TTE Directive
	ETSI EN 301 893 v.2.1.1	5GHz WLAN
Safety:	IEC 62368-1:2014 (2nd Edition) + Cor.1:2015 + Cor.2: 2015 and EN62368-1:2014 + AC: 2015 + A11: 2017 + AC: 2017 Video, information and communication tech	
RoHS	EN 50581:2012	Technical documentation

FLIR Systems AB

Quality Assurance



Lea Dabiri
Quality Manager