

## P/N: 29437-261

### Copyright

© 2020, FLIR Systems, Inc.

All rights reserved worldwide. Names and marks appearing herein are either registered trademarks or trademarks of FLIR Systems and/or its subsidiaries. All other trademarks, trade names or company names referenced herein are used for identification only and are the property of their respective owners.

### Document identity

Publ. No.: 29437-261

Commit: 66219

Language:

Modified: 2020-05-14

Formatted: 2020-05-14

### Website

<http://www.flir.com>

### Customer support

<http://support.flir.com>

### Disclaimer

Specifications subject to change without further notice. Camera models and accessories subject to regional market considerations. License procedures may apply. Products described herein may be subject to US Export Regulations. Please refer to [exportquestions@flir.com](mailto:exportquestions@flir.com) with any questions.



Specifications	
System Overview	A6261
Detector Type	FLIR Indium Gallium Arsenide (InGaAs)
Spectral Range	0.9 – 1.7 $\mu\text{m}$
Resolution	640 x 512
Pixel Size (square)	15 $\mu\text{m}$
NEI	8.4E9 photons/sec/cm <sup>2</sup> (Low Gain) 2.9E9 photons/sec/cm <sup>2</sup> (Med Gain)
Noise Floor	Low Gain: 350e Med Gain: 56e
Well Capacity	Low Gain: 1.44 Me- Medium Gain: 95.7 ke- High Gain: 19.1 ke-
Operability	$\geq 99.5\%$ ( $\geq 99.8\%$ typical)
Sensor Cooling	Single Stage TE Cooler, 30C FPA setpoint
Electronics	
Readout Type	Snapshot
Readout Modes	Asynchronous integrate while read Asynchronous integrate then read
Synchronization Modes	Sync In, Sync Out
Image Time Stamp	Yes
Integration Time	50 usec to Full Frame (3.2msec w/factory calibration)
Pixel Clock	100 MHz
Frame Rate (Full Window)	Programmable; 0.0015 Hz to 180 Hz (125Hz w/ factory calibration)
Subwindow Mode	640x512, 320x256, 160x128, flexible centered windowing down to 32 x 4 (steps of 32 columns, 4 rows)
Dynamic Range	14-bit
On-Camera Image Storage	None
Radiometric Data Streaming	Gigabit Ethernet (GigE Vision)
Standard Video	SDI
Command and Control	GenICam (GigE)



## FLIR A6261

P/N: 29437-261

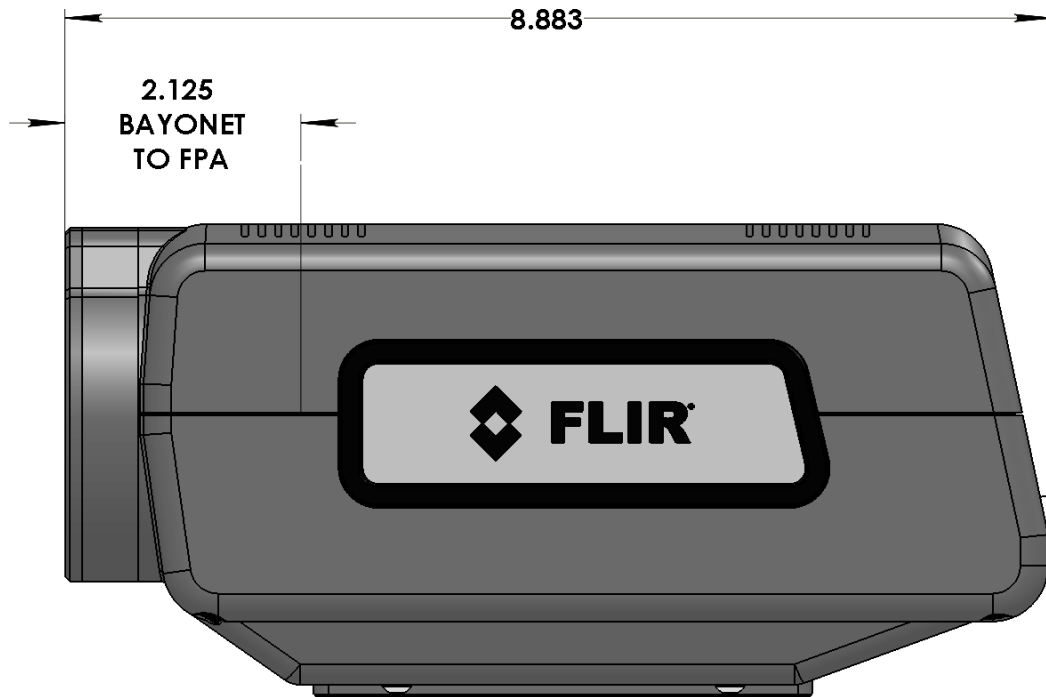
© 2020, FLIR Systems, Inc.

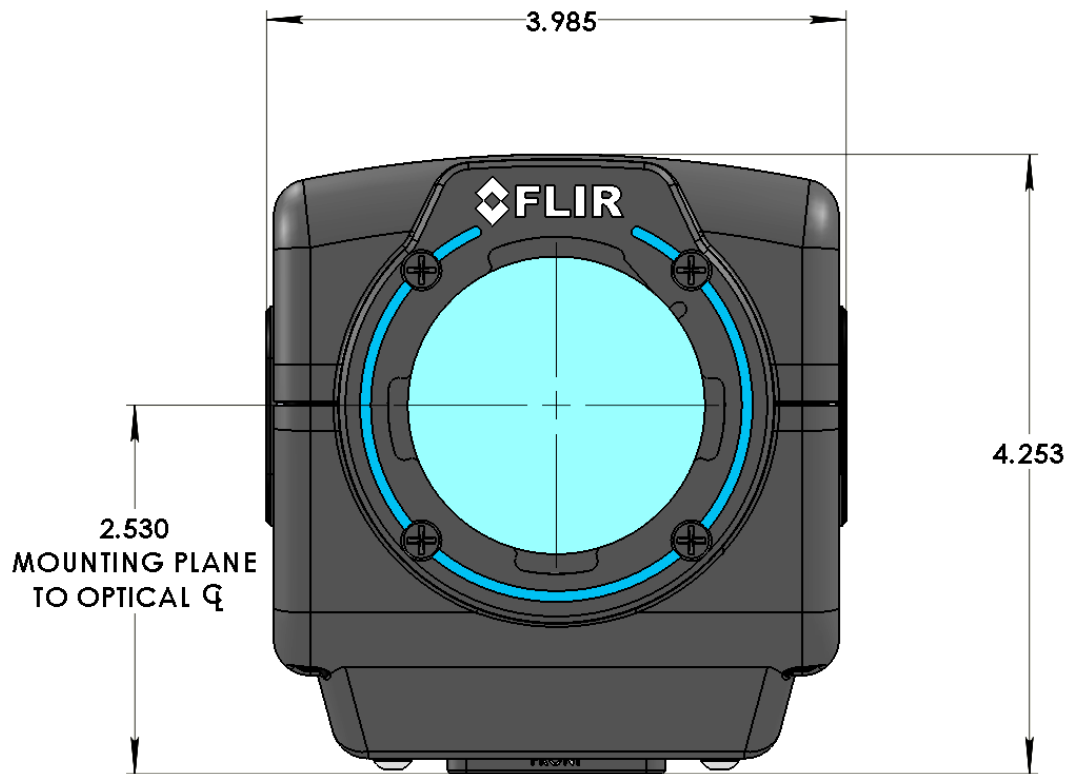
#29437-261; r. 66219;

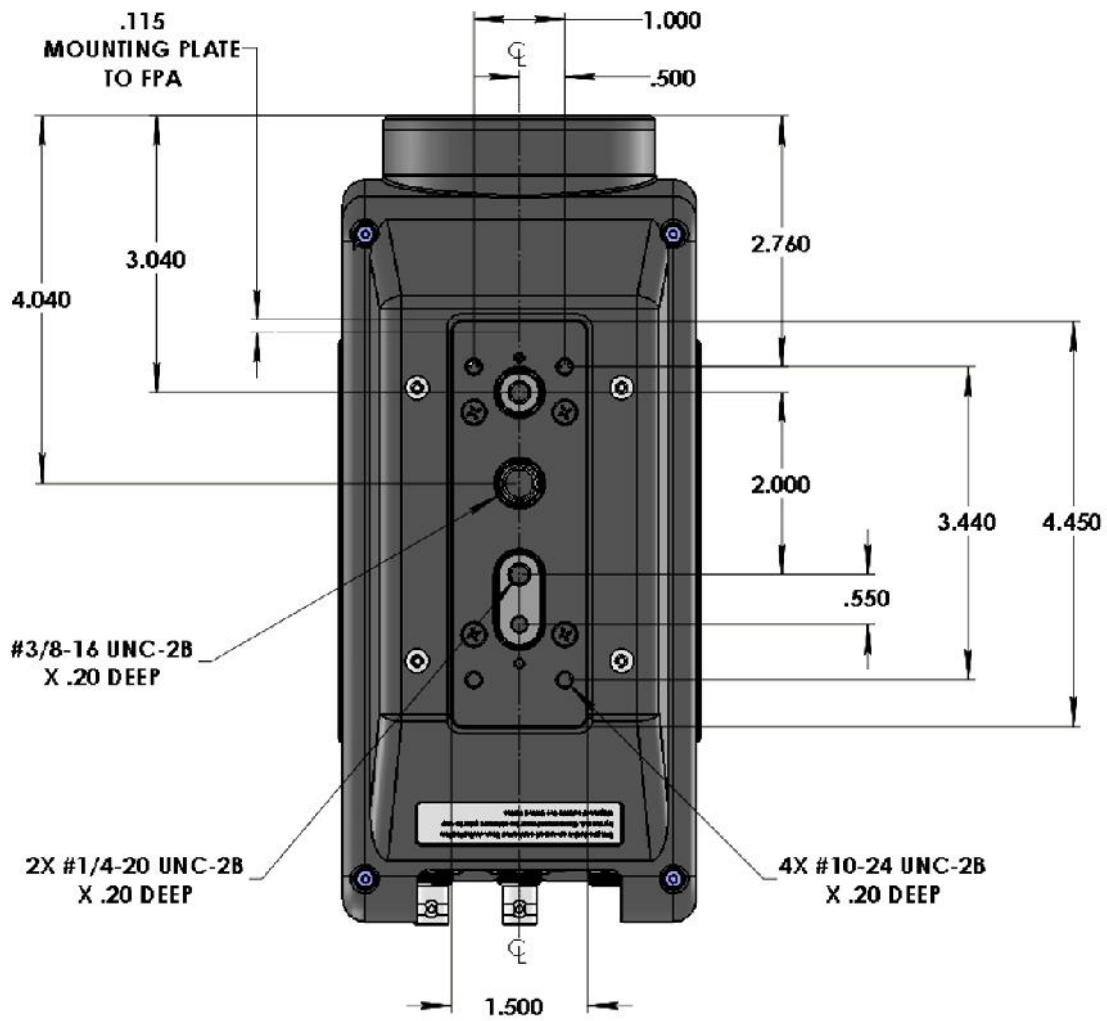
<b>Temperature Measurement</b>	
Standard Temperature Range (with band matched optics)	400°C to 1200°C (ND1)
Optional Temperature Range (with band matched optics)	600°C to 1500°C (ND2) 700°C to 2500°C (ND3)
Accuracy	± 2% of reading ( ± 1% typical)
Ambient Drift Compensation (with factory cal)	Yes
<b>Optics</b>	
Camera f/Number	Variable using lens iris (lens fixed at f/4 with cal)
Available Lenses	16 mm, 25 mm, 35 mm, 50 mm, 100 mm
Close-up Lenses/Microscopes	No microscopes available
Lens Interface	C-mount
Focus	Manual
Filter Holder (Warm)	Behind lens mount for standard 1 inch diameter filters
<b>Image/Video Presentation</b>	
Palettes	Selectable 8-bit
Automatic Gain Control	Manual, Linear, Plateau equalization, DDE
Overlay	Fixed configuration, can be turned off
Video Modes	SDI: 720p@50/59.9/60Hz
Standard Video Zoom	automatic, variable
<b>General</b>	
Operating Temperature Range	0°C to 45°C (32°F to 113°F)
Shock/Vibration	40 g, 11 msec ½ sine pulse/4.3 g RMS random vibration, all 3 axes
Power	24 VDC (< 21.25 W steady state)
Weight w/o Lens	2.3 kg (5 lbs)
Size (L x W x H) w/o Lens	216 x 102 x 109 mm (8.5 x 4.0 x 4.3 in.)
Mounting	2 x 1/4" -20 tapped holes 1 x 3/8"-16 tapped holes 4 x 10-24 tapped holes

### Supplies & accessories:

- 4216093; Lens VIS/SWIR 100 mm f/1.5 C-Mount
- 4142573; Lens, SWIR, 16mm, F1.4, C-Mount
- 4142572; Lens, SWIR, 25mm, F1.4, C-Mount
- 4142571; Lens, SWIR, 35mm, F1.4, C-Mount
- 4142569; Lens, SWIR, 50mm, F1.8, C-Mount
- 4220499; FLIR Research Studio - 1 Year Subscription (online activation)
- 4220500; FLIR Research Studio - Perpetual License (online activation)
- 4220646; FLIR Research Studio - Perpetual License (USB dongle)









The World's Sixth Sense™

May 13, 2020 Niceville, Florida

**CE Declaration of Conformity – EU Declaration of Conformity**

Product: FLIR A6x00 -series (Saturn platform)

Name and address of the manufacturer:

FLIR Systems, Inc.  
4579 E Hwy 20  
Suite 101  
Niceville, FL 32578

This declaration of conformity is issued under the sole responsibility of the manufacturer.

The objects of the declaration:

- FLIR A6260-series (FLIR part numbers 29437-2xx)
- FLIR A6700 -series (FLIR part numbers 29440-2xx)
- FLIR A6700 SLS -series (FLIR part numbers 29439-2xx)

The objects of the declaration described above is in conformity with the relevant Union harmonization legislation:

**Directives:**

- Directive 2015/863/EU RoHS
- Directive 2014/30/EU Electromagnetic Compatibility

**Standards:**

- Emission EN 61000-3-2:2014 EMC Limits for harmonic current emissions
- EN 61000-3-3:2013 EMC Limitation of voltage changes
- EN 55032:2012 EMC of multimedia equipment – Emissions requirements
- Immunity EN 55024:2010 Information Tech Equipment Immunity Characteristics

**FLIR Systems, Inc.**

Brian Cromwell  
VP Product Development, R&D/Science Solutions