

P/N: 29440-251

Copyright

© 2020, FLIR Systems, Inc.

All rights reserved worldwide. Names and marks appearing herein are either registered trademarks or trademarks of FLIR Systems and/or its subsidiaries. All other trademarks, trade names or company names referenced herein are used for identification only and are the property of their respective owners.

Document identity

Publ. No.: 29440-251

Commit: 66228

Language:

Modified: 2020-05-14

Formatted: 2020-05-14

Website

<http://www.flir.com>

Customer support

<http://support.flir.com>

Disclaimer

Specifications subject to change without further notice. Camera models and accessories subject to regional market considerations. License procedures may apply. Products described herein may be subject to US Export Regulations. Please refer to exportquestions@flir.com with any questions.



| Specifications | |
|--|---|
| System Overview | A6751 |
| Detector Type | FLIR Indium Antimonide (InSb) |
| Spectral Range | 3.0 – 5.0 μm |
| Resolution | 640 x 512 |
| Pixel Size (square) | 15 μm |
| Thermal Sensitivity/NETD | $\leq 20 \text{ mK}$ |
| Well Capacity | 7.2 M electrons |
| Operability | $\geq 99.8\%$ ($\geq 99.95\%$ typical) |
| Sensor Cooling | Closed-cycle rotary |
| Electronics | |
| Readout Type | Snapshot |
| Readout Modes | Asynchronous integrate while read Asynchronous integrate then read |
| Synchronization Modes | Sync In, Sync Out |
| Image Time Stamp | Yes |
| Integration Time | 480 ns to Full Frame |
| Pixel Clock | 50 MHz |
| Frame Rate (Full Window) | Programmable; 0.0015 Hz to 125Hz |
| Subwindow Mode | Flexible windowing down to 16 x 4 (steps of 16 columns, 4 rows) |
| Dynamic Range | 14-bit |
| On-Camera Image Storage | None |
| Radiometric Data Streaming | Gigabit Ethernet (GigE Vision) |
| Standard Video | SDI |
| Command and Control | GenICam (GigE) |
| Temperature Measurement | |
| Standard Temperature Range (with band matched optics) | -20°C to 350°C (-4°F to 662°F) -10°C for microscopes |
| Optional Temperature Range (with band matched optics) | 45°C to 600°C (ND1) 250°C to 2000°C (ND2) 500°C to 3000°C (ND3) |



FLIR A6751

P/N: 29440-251

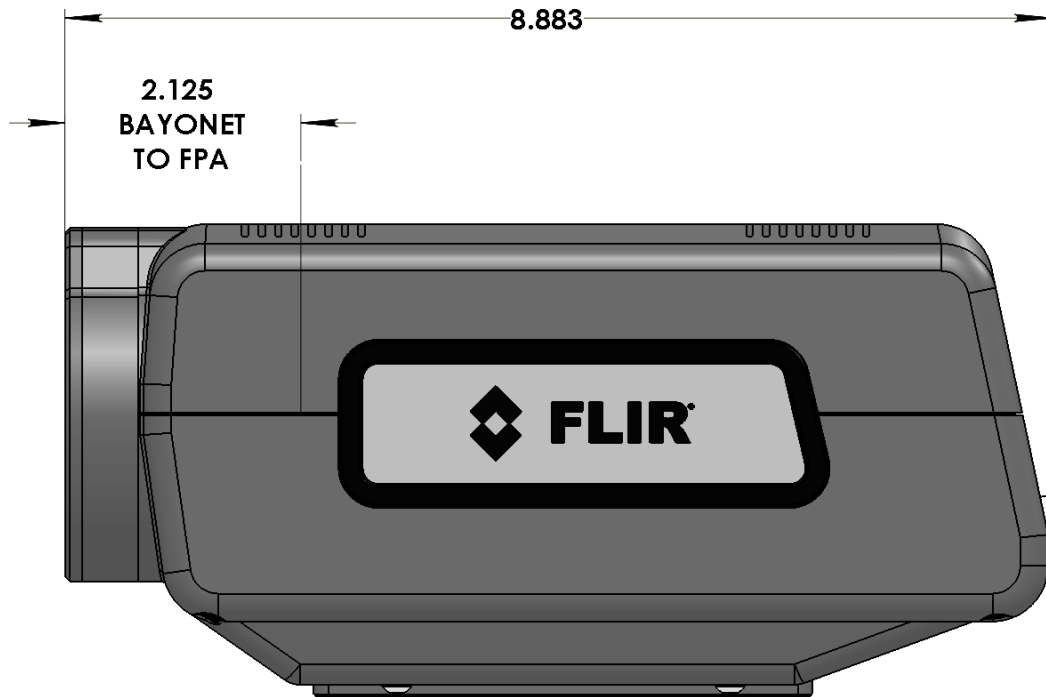
© 2020, FLIR Systems, Inc.

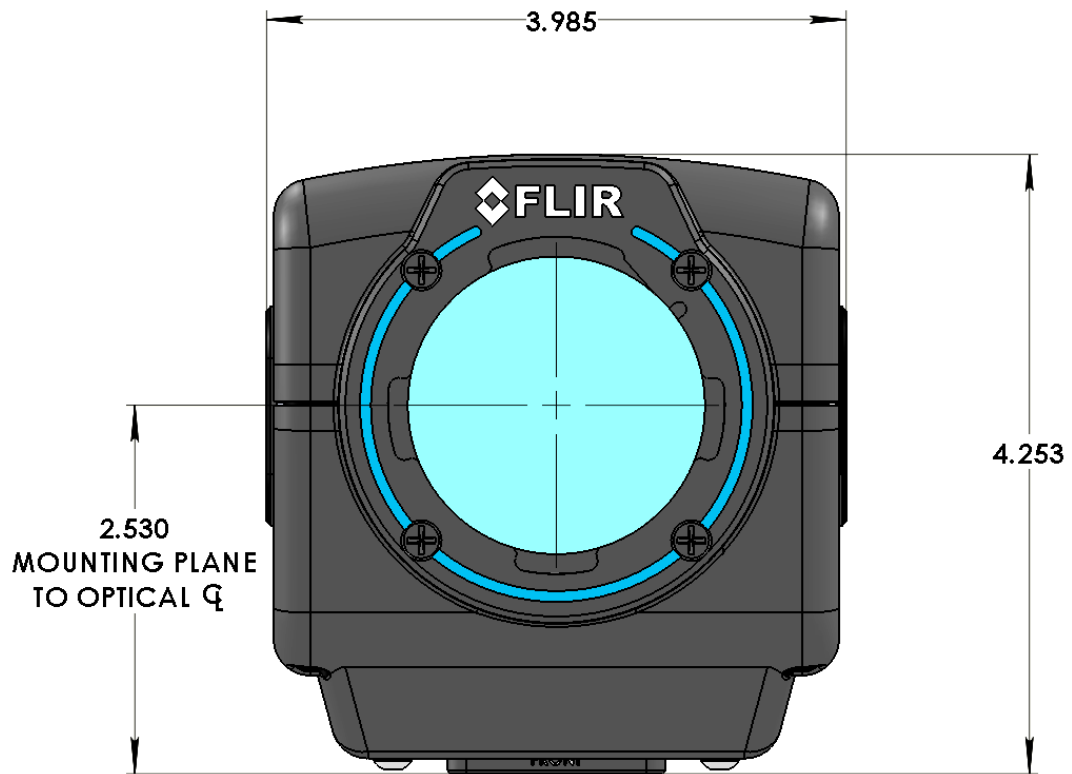
#29440-251; r. 66228;

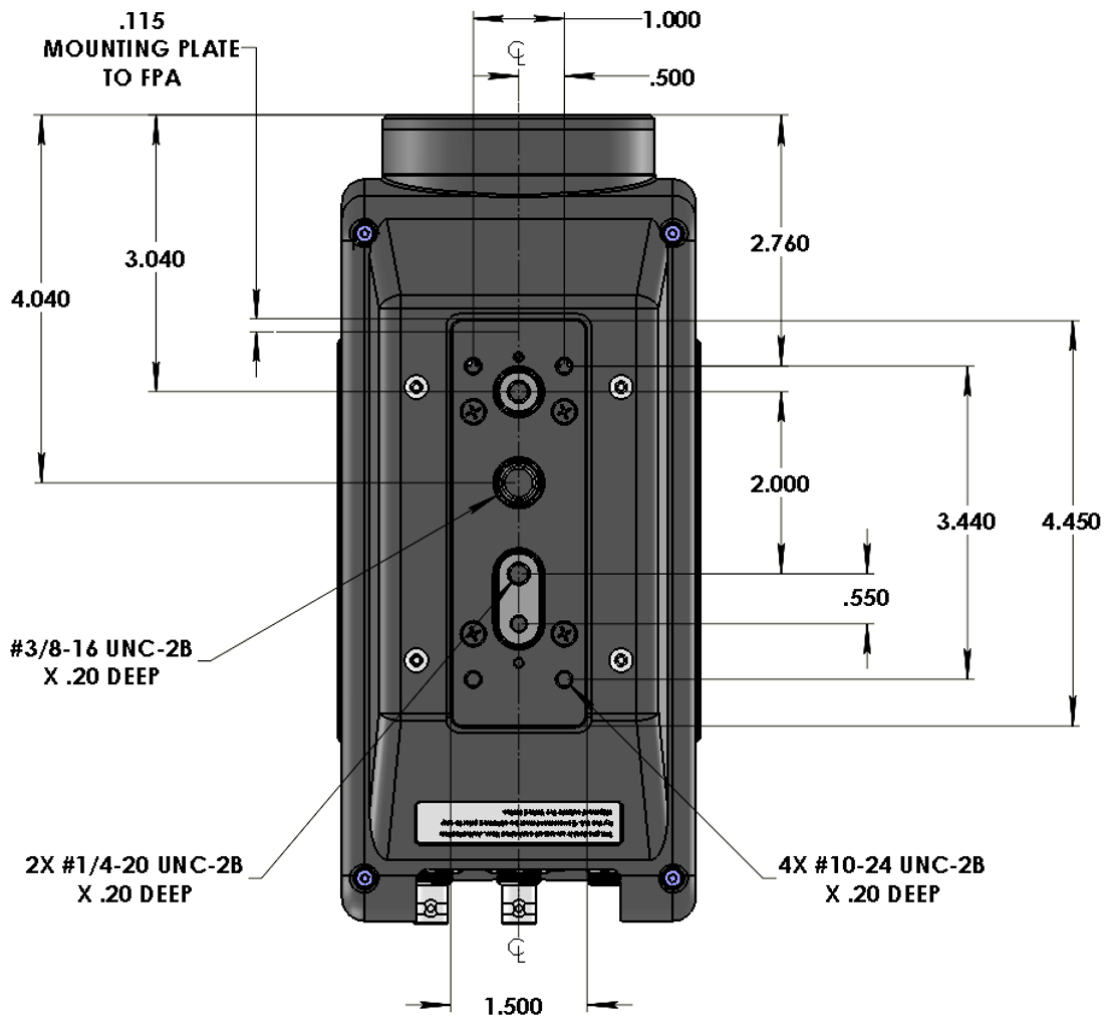
| Temperature Measurement | |
|---|---|
| Accuracy | ≤ 100°C ±2°C (±1°C typical), > 100°C ±2% of reading (±1% typical) |
| Ambient Drift Compensation (with factory cal) | Yes |
| Optics | |
| Camera f/Number | f/2.5 |
| Available Lenses | 17 mm, 25 mm, 50 mm, 100 mm, 200 mm |
| Close-up Lenses/Microscopes | 1X |
| Lens Interface | FLIR HDC (4-tab bayonet) |
| Focus | Manual |
| Filter Holder (Warm) | Behind lens mount for standard 1 inch diameter filters |
| Image/Video Presentation | |
| Palettes | Selectable 8-bit |
| Automatic Gain Control | Manual, Linear, Plateau equalization, DDE |
| Overlay | Fixed configuration, can be turned off |
| Video Modes | SDI: 720p@50/59.9/60Hz |
| Digital Zoom | automatic, variable |
| General | |
| Operating Temperature Range | -20°C to 50°C (-4°F to 122°F) |
| Shock/Vibration | 40 g, 11 msec ½ sine pulse/4.3 g RMS random vibration, all 3 axes |
| Power | 24 VDC (< 24 W steady state) |
| Weight w/o Lens | 2.3 kg (5 lbs) |
| Size (L x W x H) w/o Lens | 226 x 102 x 109 mm (8.9 x 4.0 x 4.3 in.) |
| Mounting | 2 x 1/4" -20 tapped holes 1 x 3/8"-16 tapped holes 4 x 10-24 tapped holes |

Supplies & accessories:

- 4215502; Lens 3-5 um 100 mm f/2.5 HDC Bayonet
- 4215423; Lens 3-5 um 17 mm f/2.5 HDC Bayonet
- 4215504; Lens 3-5 um 200 mm f/2.5 HDC Bayonet
- 4215425; Lens 3-5 um 25 mm f/2.5 HDC Bayonet
- 4215500; Lens 3-5 um 50 mm f/2.5 HDC Bayonet
- 4214995; Lens 3-5 um, 1X microscope, f/2.5 HDC Bayonet
- 4219797; Lens 3-5 um, 3X microscope, f/2.5 HDC Bayonet
- 4220499; FLIR Research Studio - 1 Year Subscription (online activation)
- 4220500; FLIR Research Studio - Perpetual License (online activation)
- 4220646; FLIR Research Studio - Perpetual License (USB dongle)
- INST-EW-0200; Extended Warranty 1 Year for A67XXsc
- INST-EWGM-0200; Premium Service Package for A67xxsc, G300a
- INST-GM-0200; General Maintenance for RS6700, A67XXsc, A6604, SC4000, SC610X, SC670X, SC8000, SC8X4X, SC820X, SC6000, X85XXsc, X68XXsc, X69XXsc









The World's Sixth Sense™

May 13, 2020 Niceville, Florida

CE Declaration of Conformity – EU Declaration of Conformity

Product: FLIR A6x00 -series (Saturn platform)

Name and address of the manufacturer:

FLIR Systems, Inc.
4579 E Hwy 20
Suite 101
Niceville, FL 32578

This declaration of conformity is issued under the sole responsibility of the manufacturer.

The objects of the declaration:

FLIR A6260-series (FLIR part numbers 29437-2xx)
FLIR A6700 -series (FLIR part numbers 29440-2xx)
FLIR A6700 SLS -series (FLIR part numbers 29439-2xx)

The objects of the declaration described above is in conformity with the relevant Union harmonization legislation:

Directives:

| | | |
|-----------|-------------|-------------------------------|
| Directive | 2015/863/EU | RoHS |
| Directive | 2014/30/EU | Electromagnetic Compatibility |

Standards:

| | | |
|----------|-------------------|--|
| Emission | EN 61000-3-2:2014 | EMC Limits for harmonic current emissions |
| | EN 61000-3-3:2013 | EMC Limitation of voltage changes |
| | EN 55032:2012 | EMC of multimedia equipment – Emissions requirements |
| Immunity | EN 55024:2010 | Information Tech Equipment Immunity Characteristics |

FLIR Systems, Inc.

Brian Cromwell
VP Product Development, R&D/Science Solutions